

EvoRail™ 6PzV420



*VRLA GEL Battery Technology
for Rolling Stock Applications*



*High cycle
performance*

*Very good deep
discharge recovery*

Maintenance free

V-0 flame retardant



Keeping you on track

Hawker® EvoRail™ 6PzV420

Technical specifications

Electrical Data

Part number: 1882506V0CP

Nominal voltage	2 V
Number of cells	1 (VRLA, tubular GEL Technology)
Rated capacity C ₁₀ to 1.80 Vpc at 20 °C	413 Ah
Rated capacity C ₅ to 1.70 Vpc at 30 °C	420 Ah
Current/Power for 0.25 h back-up time 1.60 Vpc 20 °C	594.4 A / 975 W
Current/Power for 0.5 h back-up time 1.60 Vpc 20 °C	423.0 A / 718 W
Current/Power for 1.0 h back-up time 1.60 Vpc 20 °C	270.2 A / 475 W
Current/Power for 3.0 h back-up time 1.70 Vpc 20 °C	115.1 A / 213 W
Current/Power for 5.0 h back-up time 1.75 Vpc 20 °C	75.0 A / 142 W
Current/Power for 8.0 h back-up time 1.75 Vpc 20 °C	51.6 A / 98 W
Current/Power for 10.0 h back-up time 1.80 Vpc 20 °C	41.3 A / 79 W
Current/Power for 24.0 h back-up time 1.80 Vpc 20 °C	20.1 A / 39 W
Conversion to capacity at 25 °C	102% of Current/Power at 20°C
Internal resistance to IEC/EN 60896-21	0.40 mΩ
Short circuit current to IEC/EN 60896-21	5.03 kA
Self discharge at 20 °C to IEC/EN 60896-21	max. 3% / Month
Heat loss during float service at 20°C	≈ 0.57 W

Mechanical Data

Weight	28.1 kg ±2%
Height of cell / over terminal cover	405 mm / 435 mm
Width	198 mm
Depth	119 mm
Number of terminals	1 + / 1 -
Dimension of terminal screw hole	M10 x 22 deep, female thread
Torque terminal screw	25 Nm ±2
Terminal insulation class according to IEC/EN 60529	IP 20
Diameter of diagnostic hole for voltage probe	2 mm
Maximum cable cross-section	95 mm ²
Connector and terminal connection	use flexible EVO or PerfectPlus - connectors
Connector (copper, tin-coated and insulated)	For Rolling Stock flexible connectors are recommended
Shock + Vibration rating (according)	Category 1, Class B (IEC 61373:2011)

Environmental Data

Installation	vertically
Cell assembly distance	not required; for higher loads 5-10 mm recommended for cooling
Material of case/cover; Flame retardancy rating (according to)	PP - FR or PP (on request) V-0 (UL94); I2 / F1 (NF F 16-101) or HB (UL94)
Flame barriers at vents	Yes
Rail service life expected at 15 °C	6 years (max. 30% DOD / day)
Cycle Endurance (DB Test : 30% DOD/8h)	> 80% C _{nom} after 1'300 cycles
Design life (Eurobat classification)	12+ Long Life
Shipping name	Batteries, wet, non spillable

Hawker® EvoRail™ 6PzV420

Operating specifications

Figure 1



Figure 2

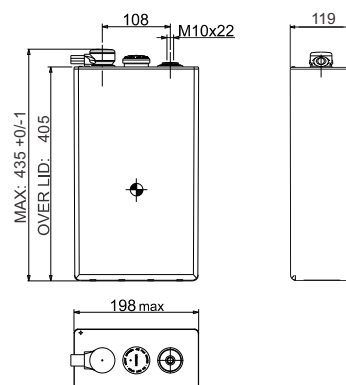
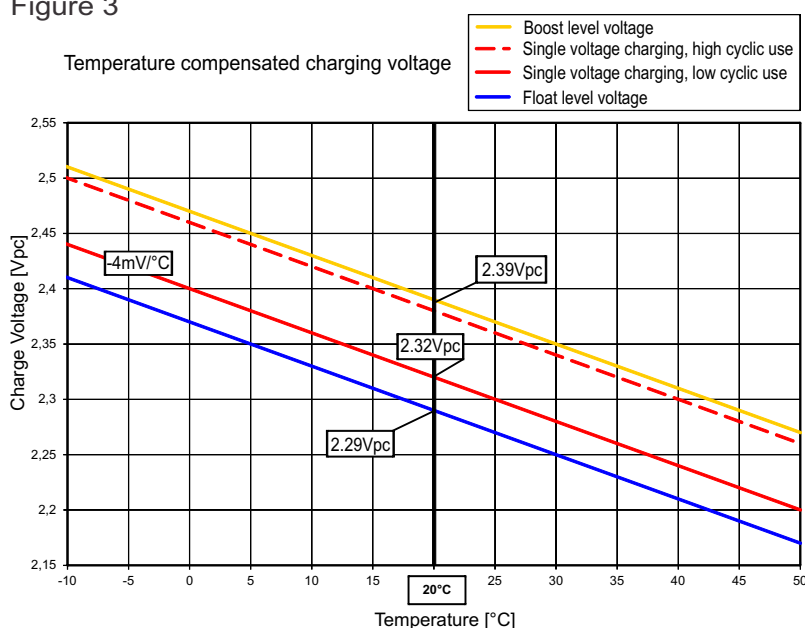


Figure 3



Temperature in °C	Percent of the rated capacity (C ₅)
40	107.0
35	105.8
30	104.0
25	102.0
20	100.0
15	97.8
10	94.5
5	91.0
0	86.0
-5	80.0
-10	72.5
-15	64.0
-20	47.0
-25	31.0
-30	14.0

Estimated Values
Should be verified with actual load profile

Battery installation and operation

Recommended charging for rolling stock applications (standby parallel operation)	IU0U - charging : 2 level charging (acc. DIN 41773) with current limitation and temperature compensation
Boost level voltage setting at 20°C	2.39 Vpc (Volt per cell)
Lower level or constant voltage setting at 20°C	2.32 ... 2.38 Vpc (low ... high cyclic use)
Charge current for IU or IU0U-charging (DIN 41773)	76 ... 115 A (minimum for cyclic use: 95 A)
Voltage compensation in function of temperature	- 4 mV/K per cell
Float level voltage setting at 20°C (± 1%)	2.29 Vpc (valid for long term trickle charging at workshop and storage)
Air exchange	As a VRLA battery according to EN 50272-2 : 2001 $Q = 0.05 * N_{cells} * I_{gas} * C_{AhC10} * 10^{-3} [m^3/h]$ $I_{gas} = 1$ (at 2.29 Vpc) ; $I_{gas} = 8$ (at 2.39 Vpc)
Preferred operating temperature range	Between 15°C - 25°C
Maximum long term operating temperature	+40°C with ventilation assured (reduced service life)
Maximum short term operating temperature (< 3h)	+50°C with ventilation assured (reduced service life)
Minimum operating and storage temperature	- 40°C (in charged condition)

Hawker® EvoRail™ 6PzV420

Discharge data per cell

Constant current performance [Ampere] to the defined end of discharge voltage

Voltage [Vpc]	Temp	Discharge time [h:min]																		
		0:01	0:05	0:10	0:15	0:20	0:25	0:30	0:40	0:50	1:00	1:30	2:00	3:00	4:00	5:00	8:00	10:00	12:00	24:00
1.90	20°C	301.9	284.1	262.4	241.7	224.9	210.9	197.7	177.5	161.0	147.8	119.1	100.5	77.5	63.5	54.1	38.2	32.1	27.8	16.8
	25°C	302.8	285.2	265.5	245.9	229.3	215.4	202.6	182.4	165.9	152.5	123.2	104.0	80.4	65.8	56.0	39.4	33.1	28.6	17.3
1.85	20°C	401.2	381.8	346.5	318.0	294.3	273.3	255.5	226.6	203.8	185.8	147.1	122.9	93.5	76.1	64.5	45.0	37.8	32.7	18.9
	25°C	402.2	384.5	351.6	324.0	300.8	280.4	262.8	234.1	211.0	192.6	152.9	127.8	97.2	79.2	67.0	46.6	39.1	33.8	19.4
1.80	20°C	504.8	473.4	424.9	386.9	355.0	328.1	305.6	267.7	238.5	215.7	168.7	139.3	104.5	84.5	71.2	49.3	41.3	35.6	20.1
	25°C	504.8	478.0	431.9	395.5	364.5	338.1	315.3	277.8	248.0	224.7	176.0	145.4	109.0	88.0	74.1	51.2	42.8	36.9	20.7
1.75	20°C	611.6	561.5	497.7	448.5	408.5	375.2	346.1	300.3	265.1	237.7	182.8	149.7	111.2	89.4	75.0	51.6	43.1	37.2	20.7
	25°C	611.6	568.2	507.4	459.7	420.7	387.6	359.0	312.8	276.9	248.7	191.4	156.7	116.3	93.2	78.2	53.6	44.7	38.5	21.3
1.70	20°C	718.4	644.8	564.9	504.2	454.4	413.2	378.7	324.5	284.0	252.8	191.9	156.0	115.1	92.1	77.0	52.4	43.6	37.5	20.7
	25°C	718.4	653.5	577.8	518.7	470.1	428.9	394.4	339.3	297.8	265.4	201.5	163.6	120.5	96.2	80.5	54.5	45.3	38.9	21.4
1.65	20°C	825.1	725.2	627.5	552.9	492.8	444.0	403.9	342.1	297.1	263.1	197.8	159.7	116.2	92.3	77.0	52.4	43.6	37.5	20.7
	25°C	825.1	736.3	643.2	571.1	511.9	463.2	422.7	359.3	312.5	276.9	208.2	168.1	121.9	96.6	80.5	54.5	45.3	38.9	21.4
1.60	20°C	931.9	801.9	684.1	594.4	524.6	468.3	423.0	354.8	306.5	270.2	199.2	159.7	116.2	92.3	77.0	52.4	43.6	37.5	20.7
	25°C	931.9	816.2	703.6	616.4	547.2	490.8	444.3	373.8	323.1	285.1	210.2	168.1	121.9	96.6	80.5	54.5	45.3	38.9	21.4

Constant power performance [Watt per cell] to the defined end of discharge voltage

Voltage [Vpc]	Temp	Discharge time [h:min]																		
		0:01	0:05	0:10	0:15	0:20	0:25	0:30	0:40	0:50	1:00	1:30	2:00	3:00	4:00	5:00	8:00	10:00	12:00	24:00
1.90	20°C	573.7	540.7	498.5	460.7	428.6	401.7	377.6	339.4	309.1	284.3	229.9	195.1	150.9	124.6	106.2	74.9	63.1	54.6	33.0
	25°C	574.5	541.5	504.6	468.4	436.7	410.7	387.0	348.2	318.3	293.3	237.4	201.9	156.1	129.0	110.0	77.4	65.2	56.3	33.8
1.85	20°C	741.2	706.2	641.4	590.1	547.7	509.3	477.0	424.3	383.0	349.3	279.4	233.6	179.2	146.4	124.9	86.9	73.4	63.5	36.7
	25°C	743.3	711.8	650.6	601.7	560.2	522.5	490.4	438.2	396.0	361.9	290.1	242.9	186.3	151.9	129.6	90.1	75.8	65.6	37.7
1.80	20°C	908.5	852.3	766.5	700.0	644.5	597.4	557.4	491.6	439.8	398.4	313.9	261.3	197.9	160.3	136.0	94.6	79.2	68.6	38.8
	25°C	908.5	860.8	779.3	715.0	661.0	614.3	574.5	509.1	456.8	415.0	327.3	272.5	206.2	167.1	141.4	98.2	82.0	70.9	40.0
1.75	20°C	1060.5	979.1	875.2	791.3	723.8	666.8	618.5	540.3	480.6	433.3	336.2	277.5	208.1	168.1	141.7	98.4	81.9	70.9	39.9
	25°C	1060.6	989.7	891.9	810.5	744.4	688.9	640.5	561.8	500.9	452.3	351.7	290.2	217.1	175.4	147.4	102.3	85.0	73.4	41.1
1.70	20°C	1211.7	1091.3	964.3	867.4	787.2	719.9	663.6	574.4	506.7	454.6	349.0	286.1	213.2	172.1	144.4	99.7	82.7	71.5	39.9
	25°C	1211.8	1105.2	983.6	890.7	812.2	746.0	689.7	599.3	530.1	475.9	366.0	299.5	222.9	179.8	150.8	103.7	86.0	74.0	41.1
1.65	20°C	1360.1	1195.0	1041.2	927.5	835.4	759.7	696.1	596.9	523.5	467.3	356.3	290.8	214.9	172.6	144.4	99.7	82.7	71.5	39.9
	25°C	1360.1	1213.1	1065.2	955.4	864.9	789.8	726.0	624.7	549.3	490.4	374.4	305.4	225.3	180.5	151.0	103.7	86.0	74.0	41.1
1.60	20°C	1483.8	1289.6	1107.6	974.8	871.7	787.3	718.4	611.1	534.1	475.0	358.6	291.0	214.9	172.6	144.4	99.7	82.7	71.5	39.9
	25°C	1483.8	1310.7	1136.7	1007.4	905.6	821.5	751.4	641.9	561.2	499.7	378.1	306.1	225.3	180.5	151.0	103.7	86.0	74.0	41.1

Constant discharge values without voltage loss in connectors and cables!
Our technical support offers to calculate the discharge curve for a specific load profile.



Global & Americas
Headquarters
EnerSys
2366 Bernville Road
Reading,
Pennsylvania 19605
USA
Tel. + 1-610-208-1991

EMEA
Headquarters
EH Europe GmbH
Löwenstrasse 32
8001 Zürich
Switzerland
Tel: +41 (0)44 215 74 10
Fax: +41 (0)44 215 74 11

EH Europe GmbH
PDAC EMEA
Hagnastrasse 27
4132 Muttenz
Switzerland
Tel: +41 61 706 36 36
Fax: +41 61 706 36 37