



NexSys[®] PURE



NexSys[®] PURE batteries for bag tractors, belt loaders and other airport Ground Support Equipment (GSE)

Eliminate watering, optimize productivity

Watering in Ground Support Equipment (GSE) can significantly drive up maintenance costs. NexSys[®] PURE batteries from EnerSys[®] offer a virtually maintenance-free solution.

Manufactured with Thin Plate Pure Lead (TPPL) technology, NexSys batteries have more plate surface area for higher power density and increased efficiency. Able to withstand shock, vibration and extreme temperatures, NexSys PURE batteries provide longer life and full charging in less than half the time of conventional flooded batteries.

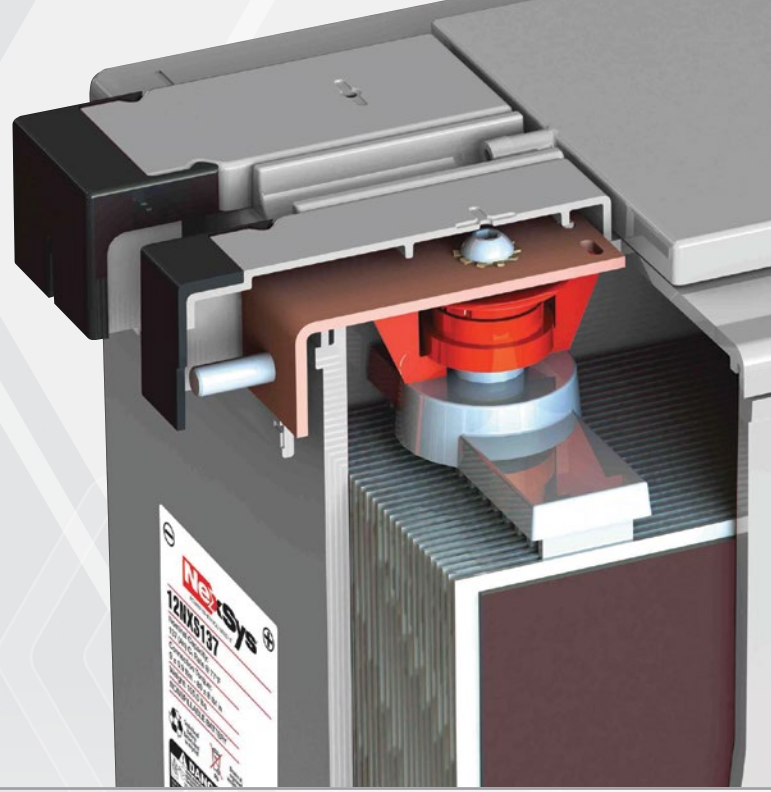
Ideal for opportunity charging, NexSys PURE batteries also offer ground support crews added flexibility for charging between flights — with no long equalization charging required. This ensures your equipment is always ready when you need it.

Reduce maintenance costs and optimize your ground support operations with NexSys PURE batteries from EnerSys.



Thin Plate Pure Lead (TPPL) Design

NexSys® PURE batteries are constructed with pure lead plates. Pure lead plates are extremely thin, so more of them fit into the battery. More plates mean more power – up to 20% more power than the same sized conventional flooded battery.



No watering, battery cleaning or long equalize charges



Fast charge in less than 2 hours; plug-in during breaks*



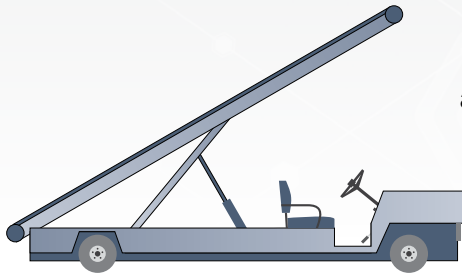
Cell connectors are cast and bonded to the plates



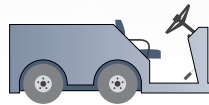
Very low internal resistance means more power when you need it most



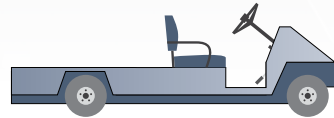
Optimized cycling performance and high energy throughput



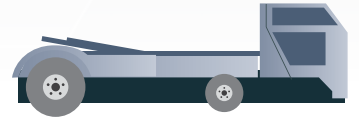
Belt Loader



Bag Tractor



Burden Carrier



Plane Push Back

NexSys PURE batteries reduce maintenance and increase availability for a wide range of equipment used at airports including people movers.

ALLEN  ENERGY

8815 Conroy Windermere Road | Suite 223
Orlando, FL 32835
Phone: +1 (407) 240-0909

* with appropriately sized charger

www.enersys.com
www.experiencenexsys.com

© 2020 EnerSys. All rights reserved.
Trademarks and logos are the property of EnerSys and its affiliates unless otherwise noted.
Subject to revisions without prior notice. E.&O.E.

AM-NXS-GSE AA November 2020

