

Screen and Weatherstripping

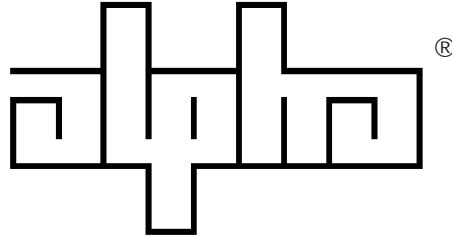
for Pole and Ground Mount Enclosures



Stainless Steel Screen and Weatherstripping Field Installation Guide

Effective: October, 2003

Alpha Technologies. Protecting The Power in Communications.
Power



Stainless Steel Screen

Field Installation Guide

745-363-C0-001, Rev B

Effective Date: October, 2003

© Alpha Technologies, Inc.



NOTE: Alpha denies responsibility for any damage or injury involving its enclosures, power supplies, generators, batteries, or other hardware when used for an unintended purpose, installed or operated in an unapproved manner, or improperly maintained.



NOTE: Illustrations contained in this manual are for illustrative purposes only. These illustrations may not exactly match your installation.



NOTE: Review the drawings and illustrations contained in this manual before proceeding. If there are questions regarding the safe operation of this powering system, please contact Alpha Technologies or your nearest Alpha representative.

Contacting Alpha Technologies:

For general **product information and customer service**

1-800-863-3930

(7:00 AM to 5:00 PM Pacific Time)

For complete **technical support**

1-800-863-3364

(7:00 AM to 5:00 PM Pacific Time, or 24/7 emergency support)

Table of Contents

SECTION ONE Introduction

1.1	Safety Information	5
1.2	Parts List	5
1.3	Required Tools and Materials	5

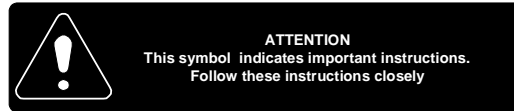
SECTION TWO Installation

2.1	Screen Installation Procedure	6
2.2	Weatherstripping Installation Procedure	7
2.3	Screen and Weatherstrip Installation Diagrams	8
2.3.1	PWE-3, PWE-6	8
2.3.2	PWE-4	9
2.3.3	PWE-8	10
2.3.4	PWE Therm Imp.	11
2.3.5	PWE-4 Legacy	12
2.3.6	PWV Legacy	13
2.3.7	PWE-8R	14
2.3.8	PWE-24	15
2.3.9	PME	16
2.3.10	PSE	17
2.3.11	BE-PWE	18
2.3.12	UPE-3	19
2.3.13	UPE-6	20
2.3.14	UPE-4	21
2.3.15	UPE-8	22
2.3.16	UPE-8 Legacy	23
2.3.17	UPE-3L	24
2.3.18	UPE-6L	25
2.3.19	BE-UPE	26
2.3.20	PN-3/PN-4	27
2.3.21	PN-4L	28
2.3.22	PN-4LB / PN-FN	29
2.3.23	PN-6	30
2.3.24	PN-FNL	31
2.3.25	CE-SC	32
2.3.26	BSM-3	33
2.3.27	BSM-4	34
2.3.28	BVE	35
2.3.29	CTE-1	36
2.3.30	GM6L	37

1.1 Safety Information

- ✓ **SAVE THESE INSTRUCTIONS:** This manual contains important installation instructions, and should be saved for future reference.

This safety symbol will be found throughout this manual, carefully read all information boxes and abide by the instructions:



The following levels of warning will be used with the above symbols:

ATTENTION:	Information or Instructions that must be followed closely
DANGER:	You WILL be KILLED or SERIOUSLY INJURED if instructions are not followed closely
WARNING:	You CAN be KILLED or SERIOUSLY INJURED if instructions are not followed closely
CAUTION:	You can be INJURED , or equipment can be DAMAGED if instructions are not followed closely.

1.2 Parts List

Stainless steel cloth screen
Plastic spreader (Alpha P/N 086-226-10)

1.3 Required Tools and Materials

Rubbing Alcohol or Heptane
Lint-free rags
Putty knife
Heat gun or hair dryer
Squeegee-type spreader
Optional - Weatherstripping

2. Installation

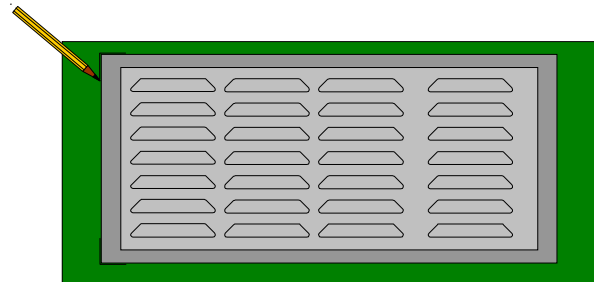
2.1 Screen Installation Procedure

1. If required, follow manufacturer's instructions for powering down the power supply, and disconnecting the battery pack to gain access to louvers.
2. This manual contains detailed drawings of louver screen placement for various enclosures. Refer to the drawing that matches your enclosure to install the replacement screen.

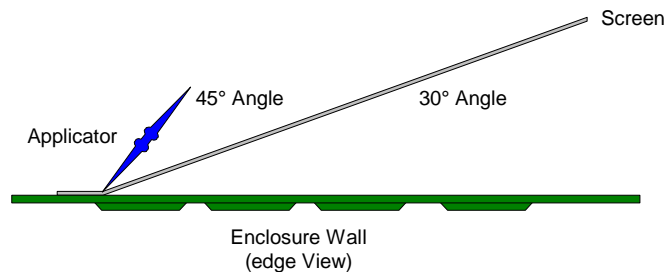
NOTE: Be sure to follow manufacturer's precautions and directions for use when using solvents. Work in a well-ventilated area.

3. Remove old bug screen using alcohol or solvent and putty knife. Area **MUST** be clean and dry prior to installation of new screen.
4. Mark exact location for new screen prior to the next step.

NOTE: Once you apply the tape you cannot reposition it due to pressure-sensitive adhesive on the tape.

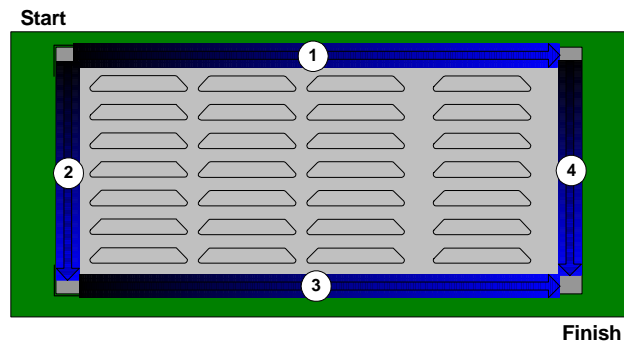


5. Remove protective cover on two-sided tape. If ambient temperature is below 40°F (4.5°C), use heat gun or hair dryer to gently warm adhesive to increase bond strength.
6. Center screen over louver on the marks from step 4, and press firmly on one side while holding screen at approximately 30° angle from the enclosure surface.
7. With squeegee-spreader, apply even pressure from left to right to top edge of the screen as you lower screen to enclosure surface. This removes trapped air bubbles as adhesive bonds screen to enclosure.



2. Installation

8. Ensure complete adhesion of screen to enclosure by following “spreading” sequence illustrated below: top, left, bottom, right.



2.2 Weatherstripping Installation Procedure

Currently weatherstripping tape comes preassembled in kits for enclosures and doors. However, you may have weatherstripping in a roll. The following installation procedure applies in either case.

1. Remove front door of enclosure.
2. If you have a weatherstripping kit, match each strip to an appropriate enclosure door edge. If in a roll, cut strips to appropriate lengths. Ensure strip ends will meet at corners.
3. Remove protective paper from adhesive strips.
4. Press weatherstripping into place. Confirm ends meet at corners and butt against any existing weather trip at sides. Some trimming may be necessary.

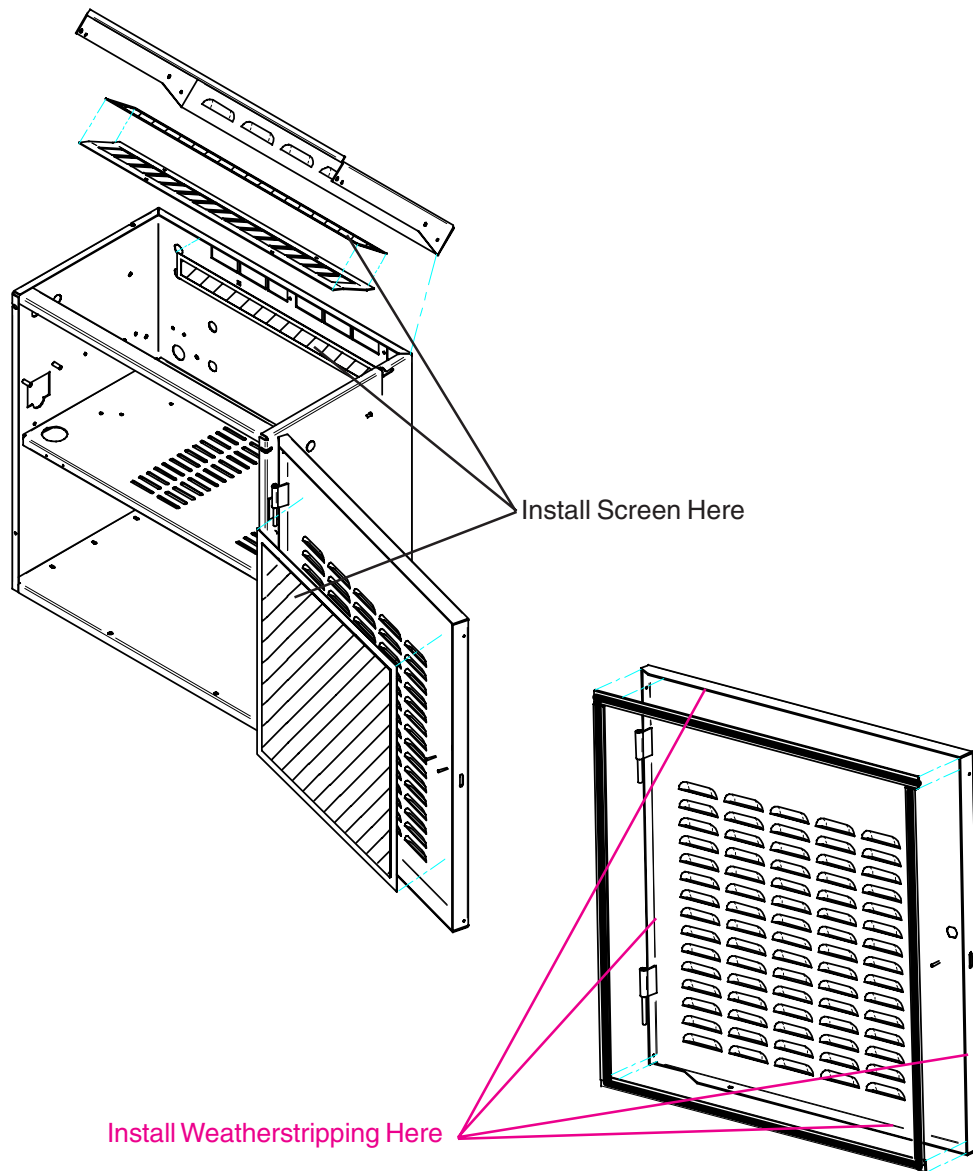
2. Installation

2.3 Screen and Weatherstrip Installation Diagrams

2.3.1 PWE-3, PWE-6

PWE-3 P/N 745-363-23

PWE-6 P/N 745-363-24

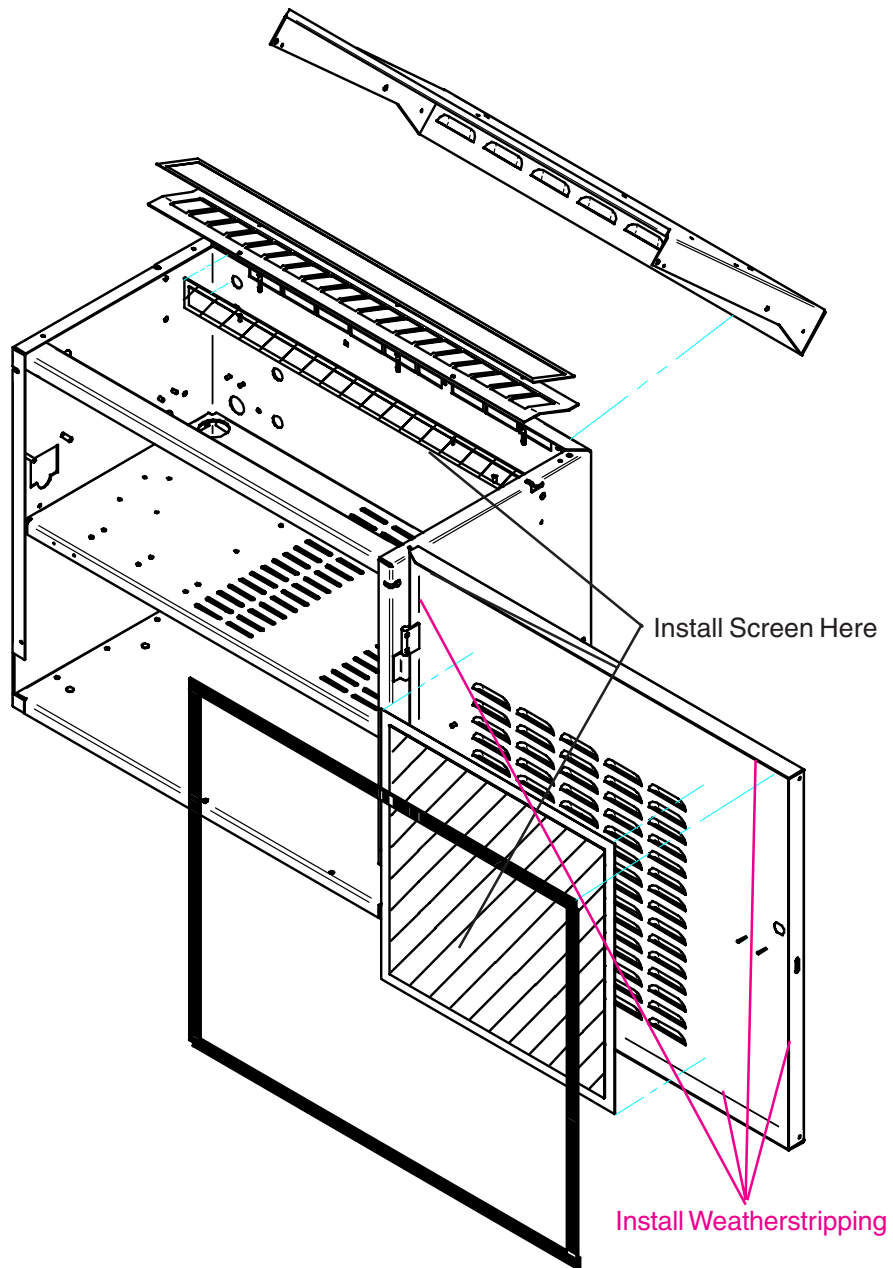


2. Installation

2.3 Screen and Weatherstrip Installation Diagrams, *Cont.*

2.3.2 PWE-4

P/N 745-381-21

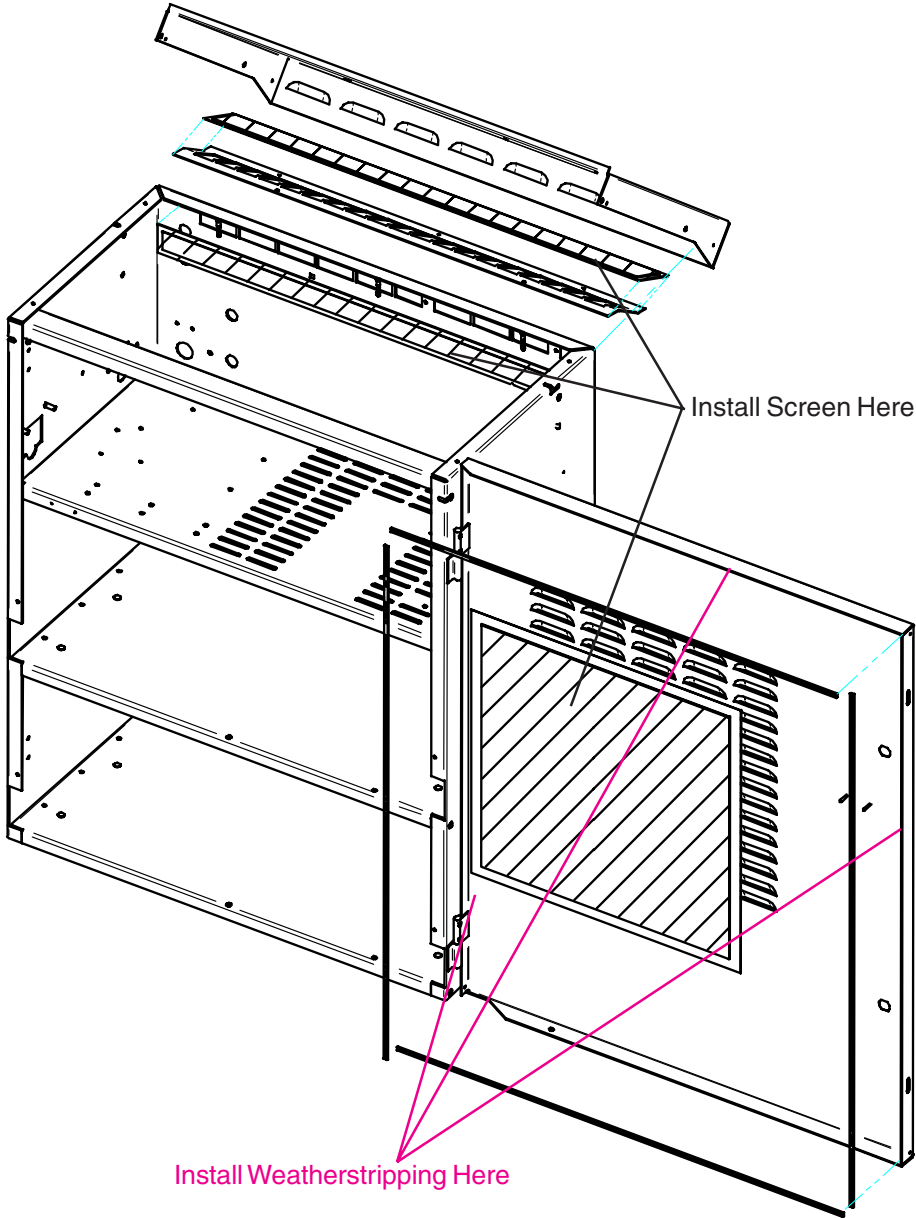


2. Installation

2.3 Screen and Weatherstrip Installation Diagrams, *Cont.*

2.3.3 PWE-8

P/N 745-389-21

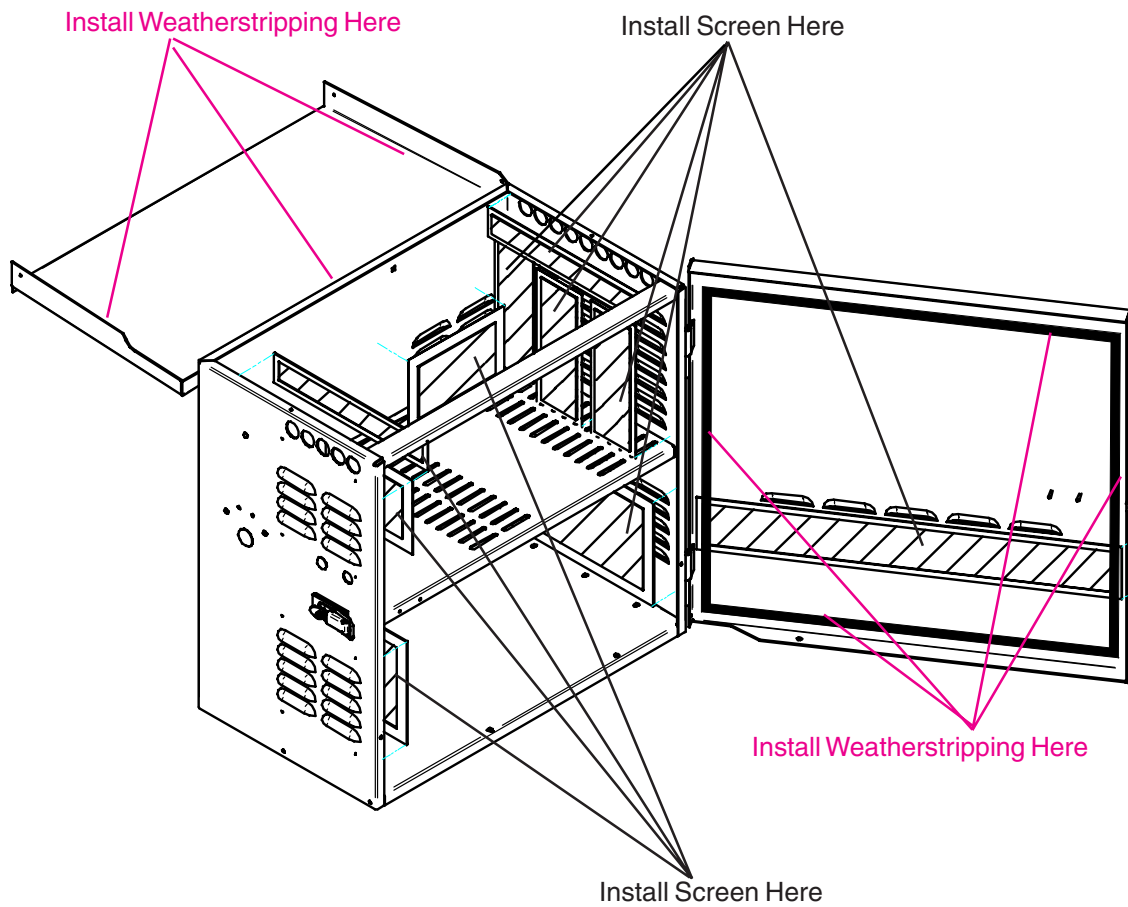


2. Installation

2.3 Screen and Weatherstrip Installation Diagrams, *Cont.*

2.3.4 PWE Therm Imp.

P/N 745-439-21

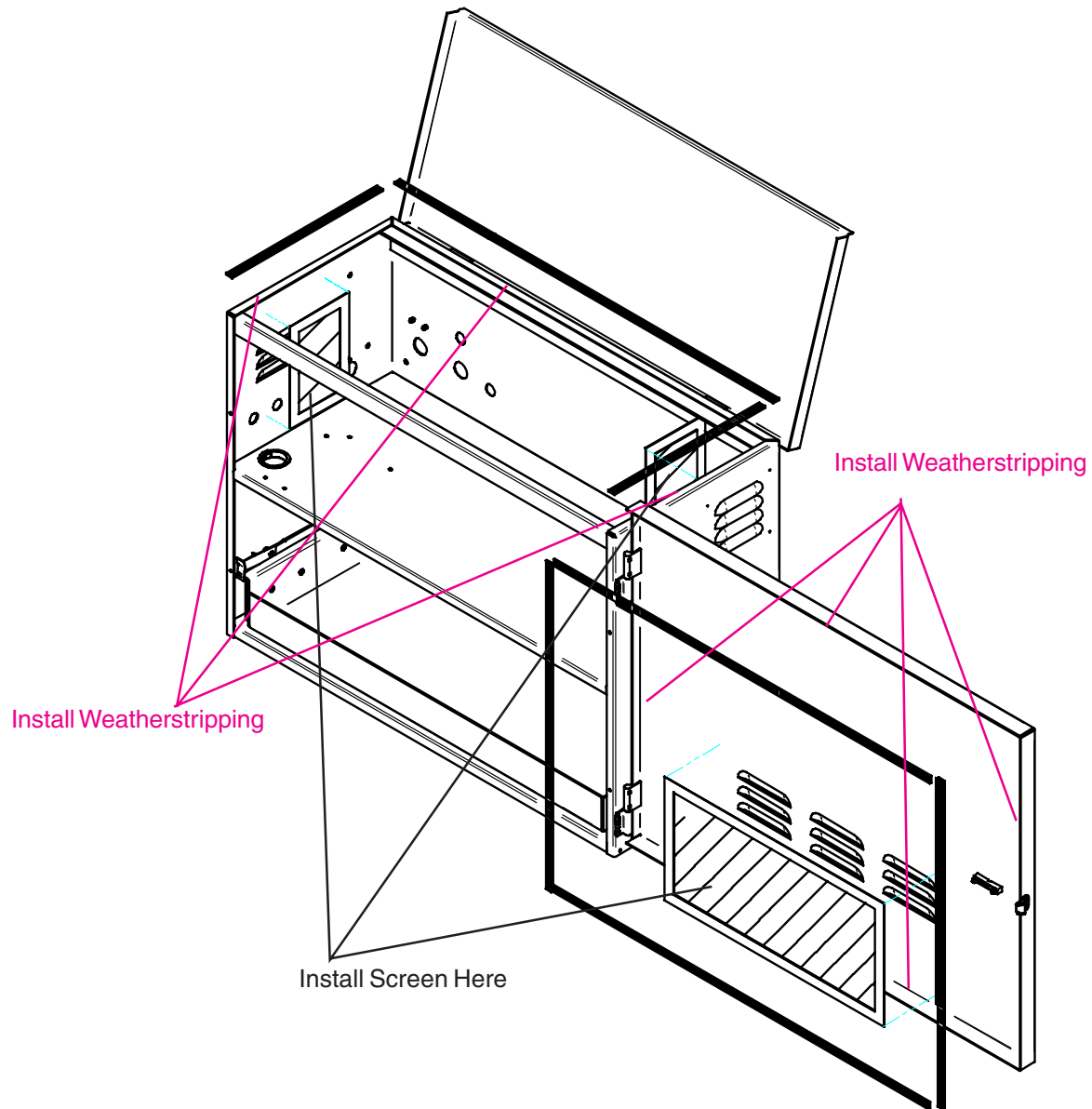


2. Installation

2.3 Screen and Weatherstrip Installation Diagrams, *Cont.*

2.3.5 PWE-4 Legacy

P/N 745-431-21

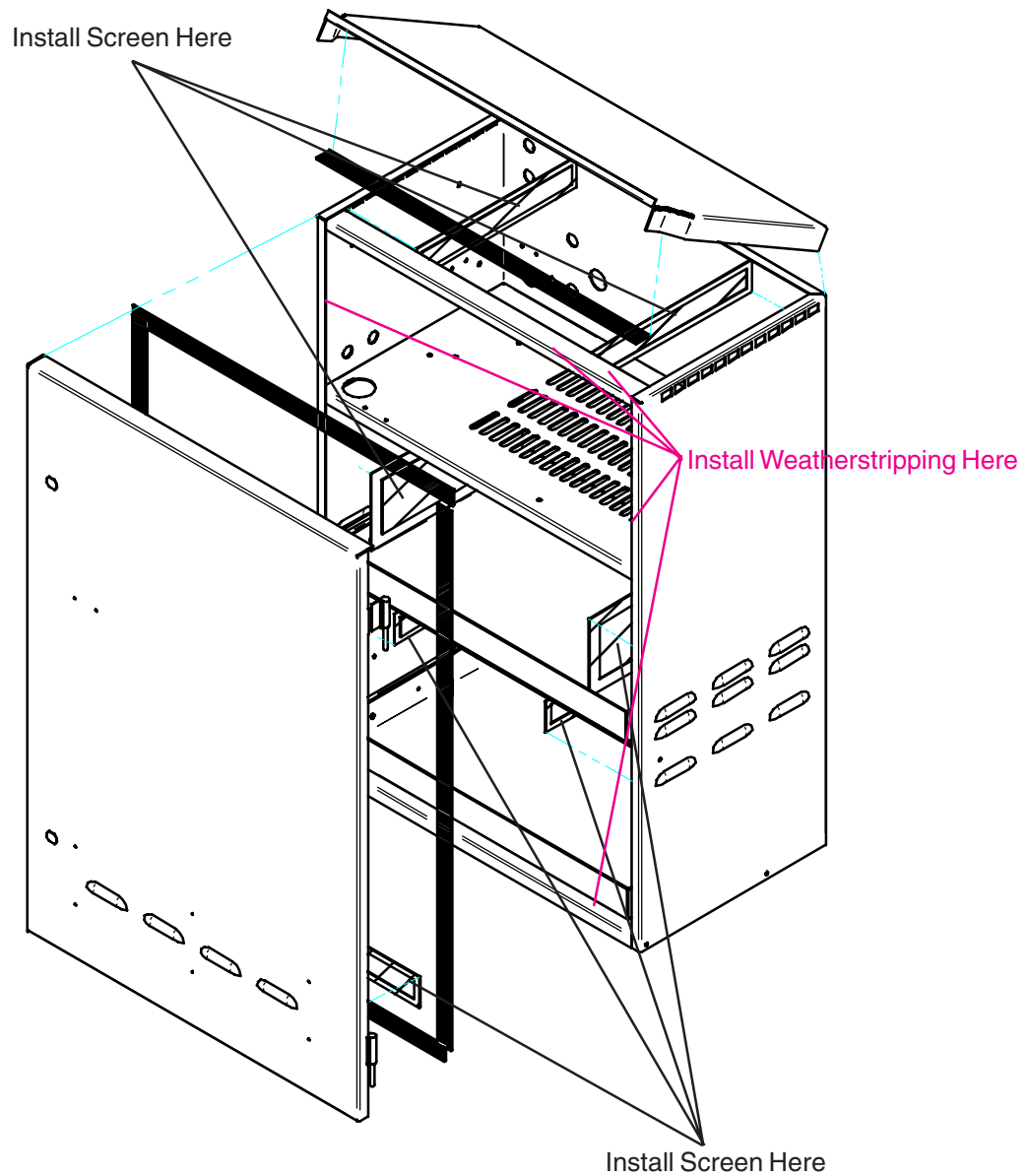


2. Installation

2.3 Screen and Weatherstrip Installation Diagrams, *Cont.*

2.3.6 PWV Legacy

P/N 745-438-21



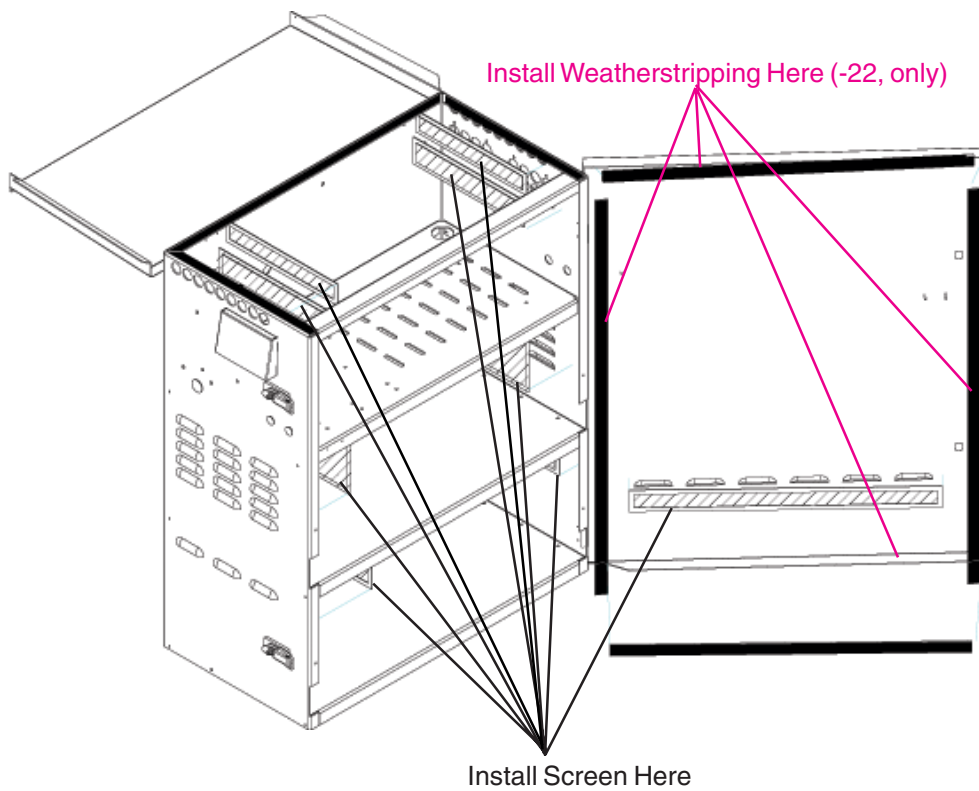
2. Installation

2.3 Screen and Weatherstrip Installation Diagrams, *Cont.*

2.3.7 PWE-8R

P/N 745-432-21

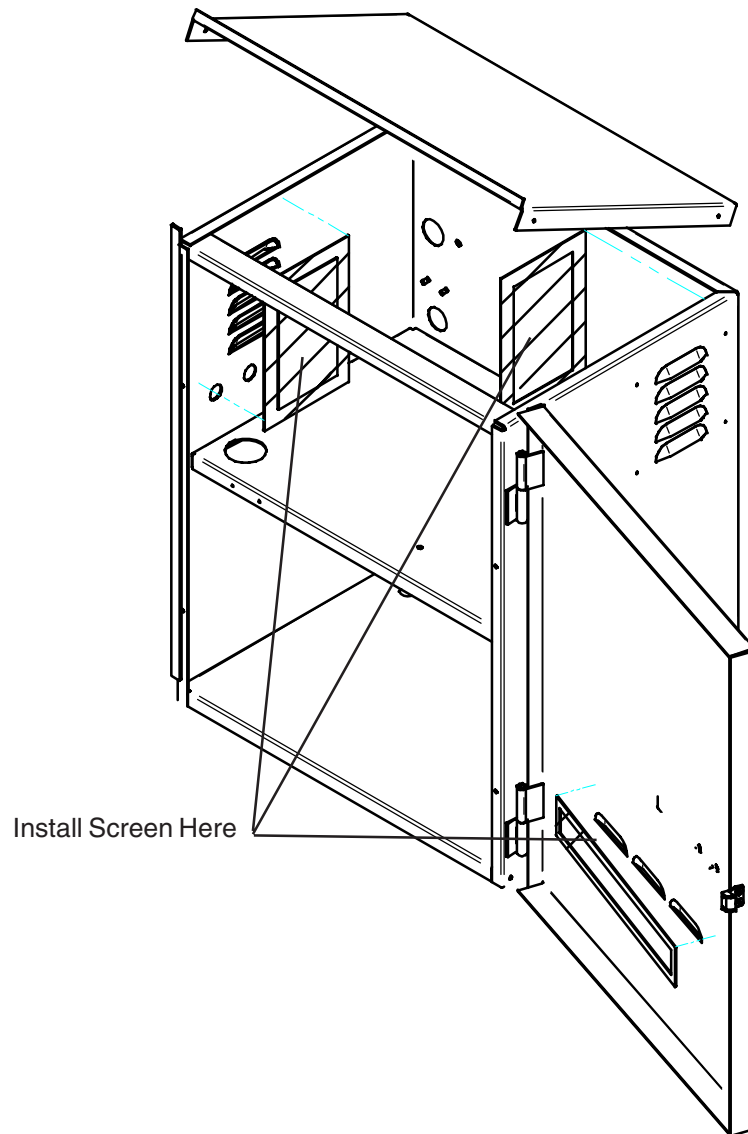
P/N 745-432-22 (Kit with Tape)



2.3 Screen and Weatherstrip Installation Diagrams, *Cont.*

2.3.8 PWE-24

P/N 745-380-21

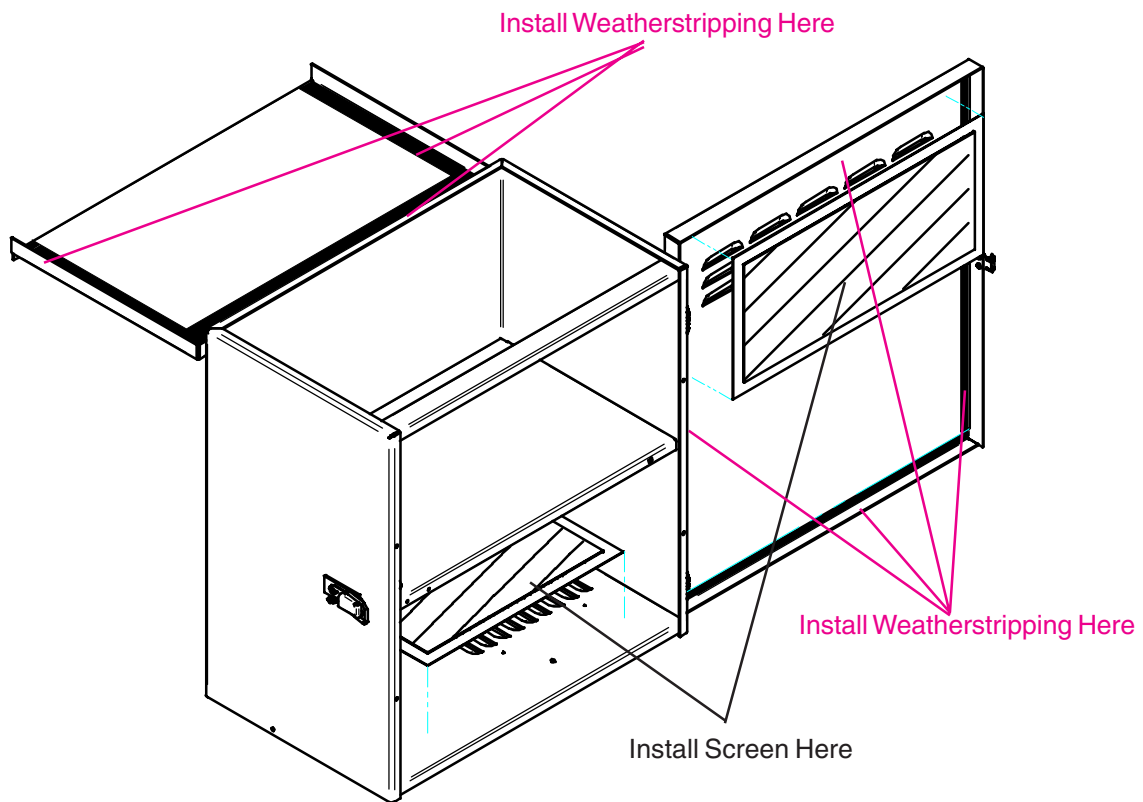


2. Installation

2.3 Screen and Weatherstrip Installation Diagrams, *Cont.*

2.3.9 PME

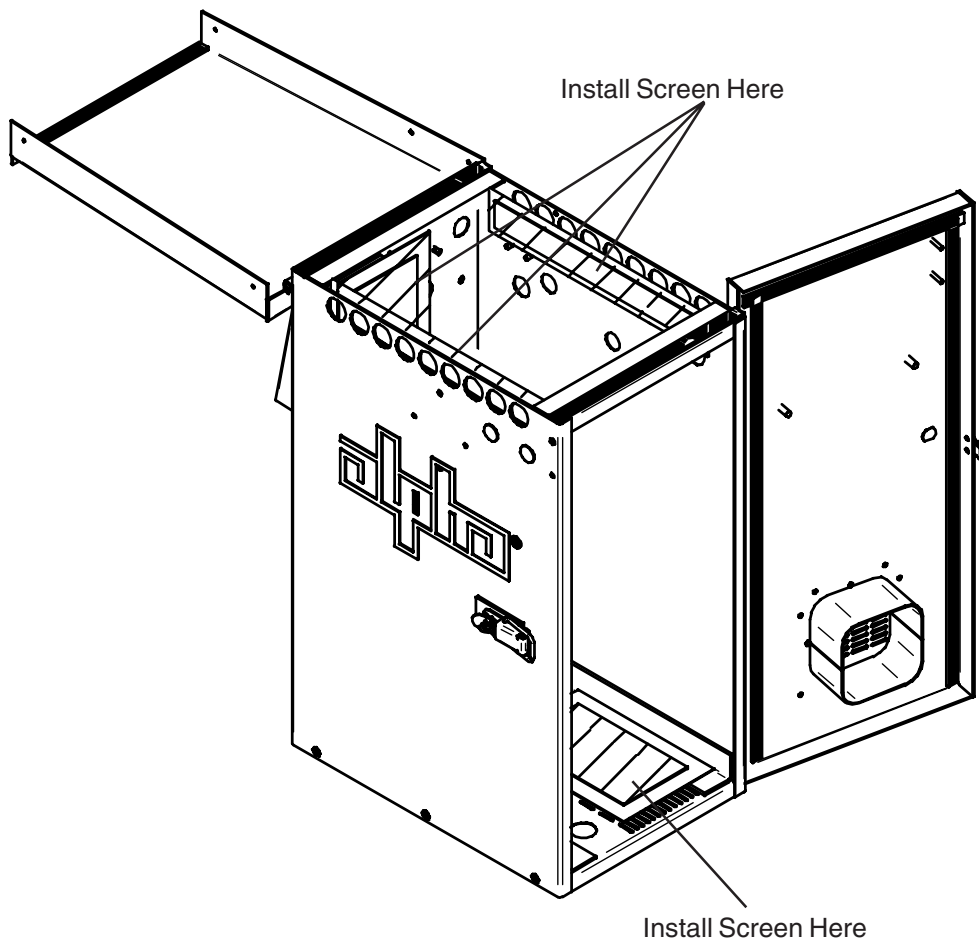
P/N 745-459-21



2.3 Screen and Weatherstrip Installation Diagrams, *Cont.*

2.3.10 PSE

P/N 745-461-21

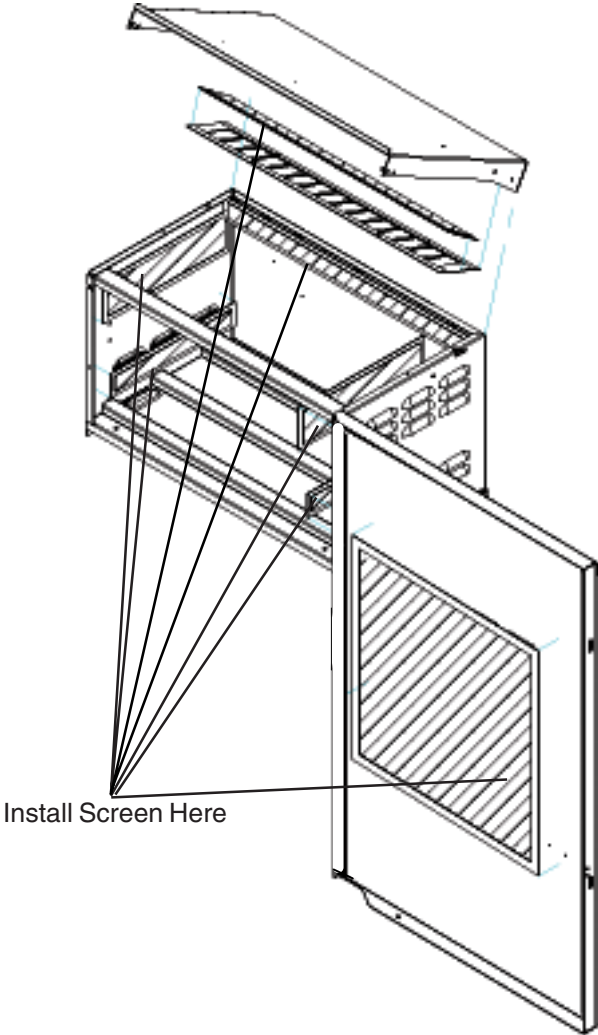


2. Installation

2.3 Screen and Weatherstrip Installation Diagrams, *Cont.*

2.3.11 BE-PWE

P/N 745-430-21

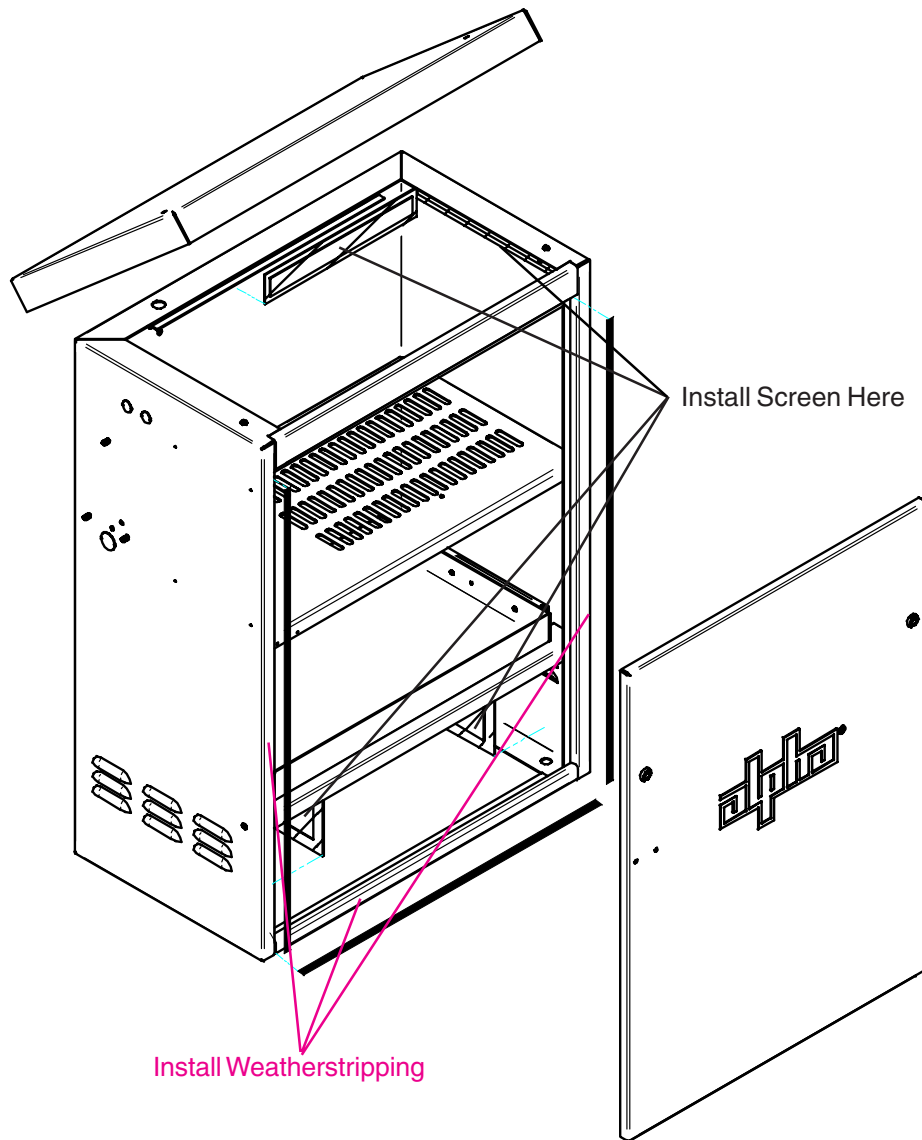


2. Installation

2.3 Screen and Weatherstrip Installation Diagrams, *Cont.*

2.3.12 UPE-3

P/NP/N 745-379-21

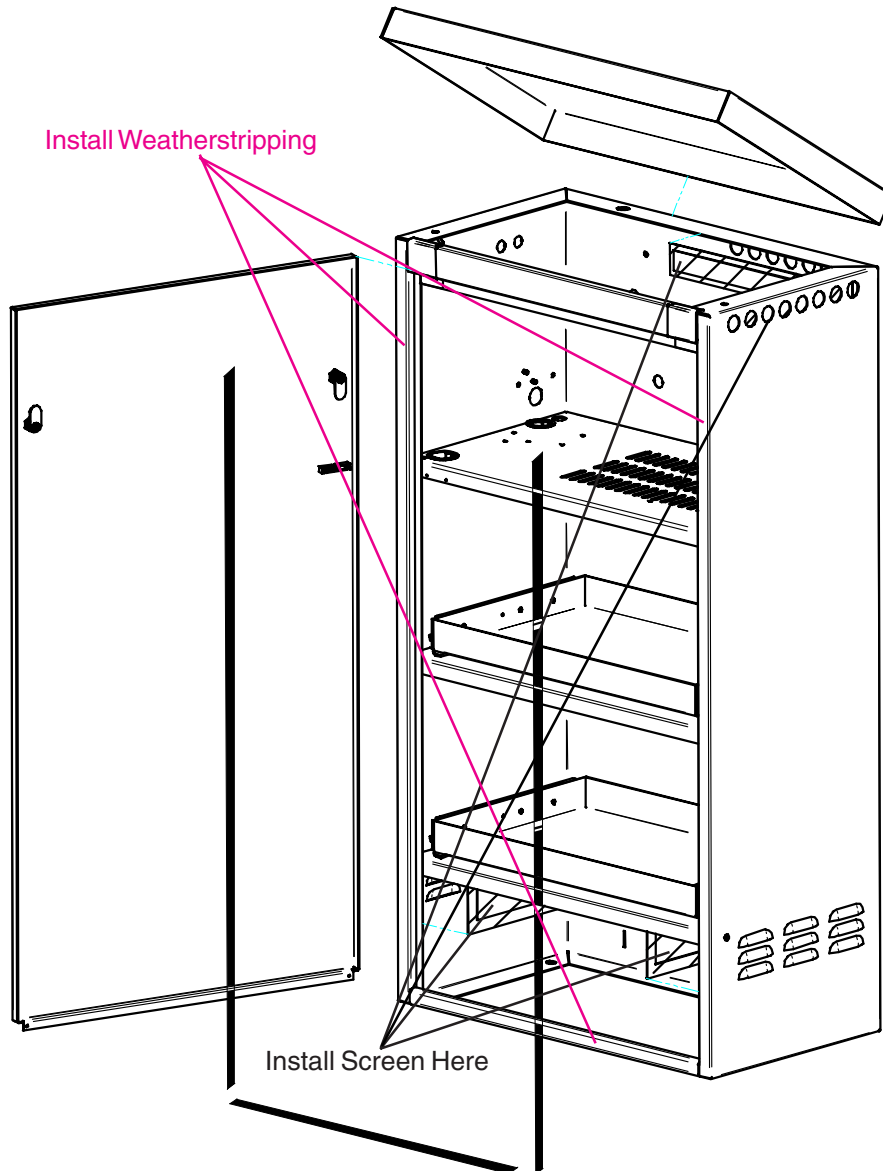


2. Installation

2.3 Screen and Weatherstrip Installation Diagrams, *Cont.*

2.3.13 UPE-6

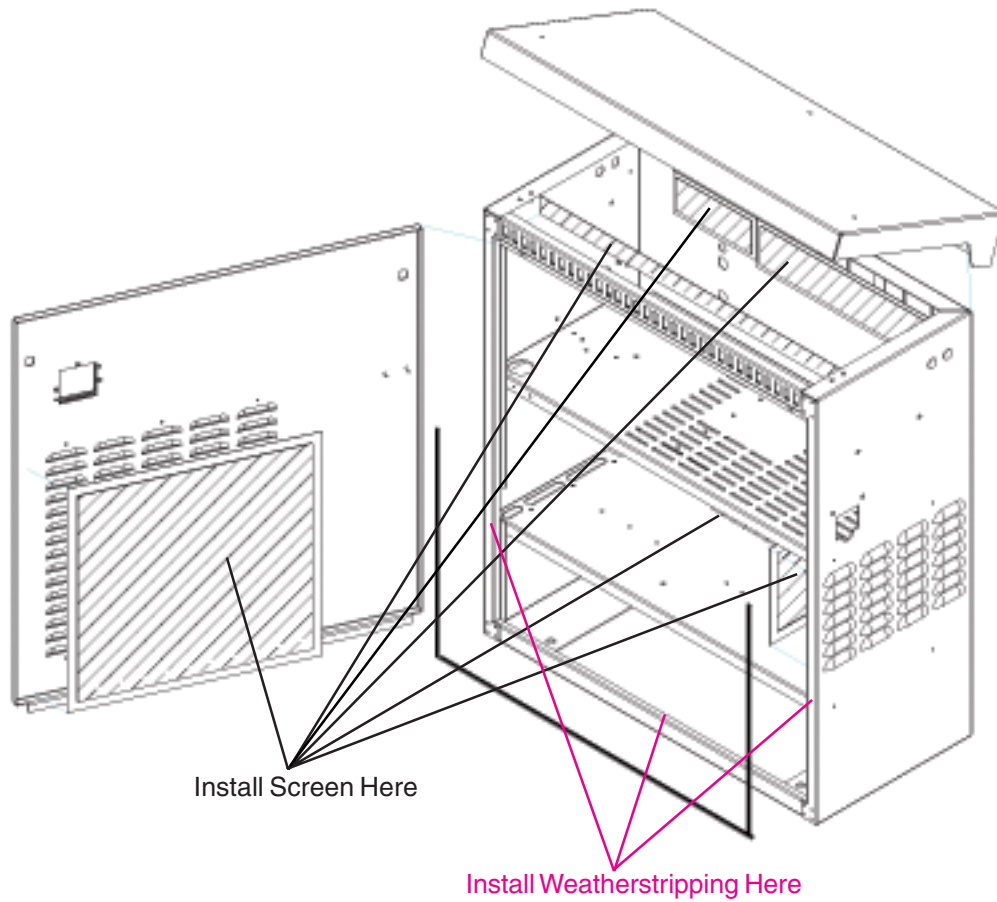
P/N 745-388-21



2.3 Screen and Weatherstrip Installation Diagrams, *Cont.*

2.3.14 UPE-4

P/N 745-384-21

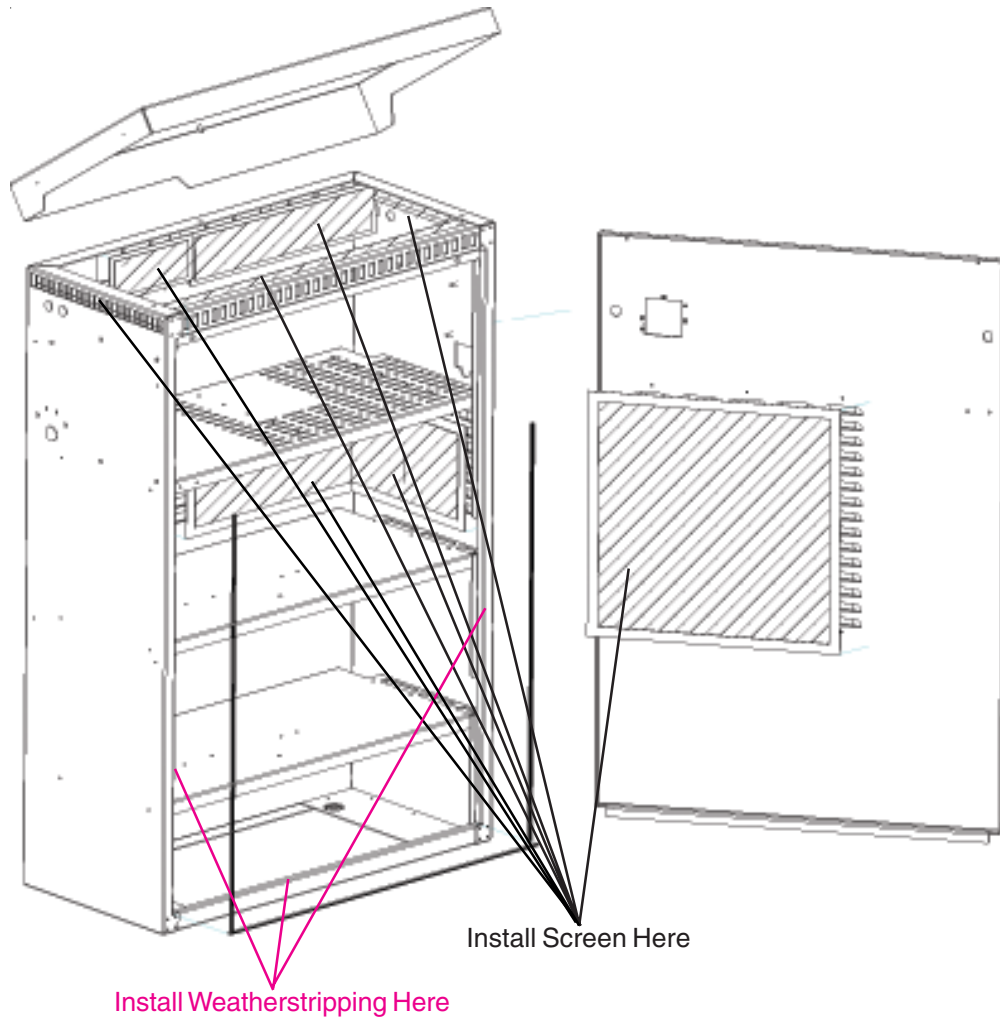


2. Installation

2.3 Screen and Weatherstrip Installation Diagrams, *Cont.*

2.3.15 UPE-8

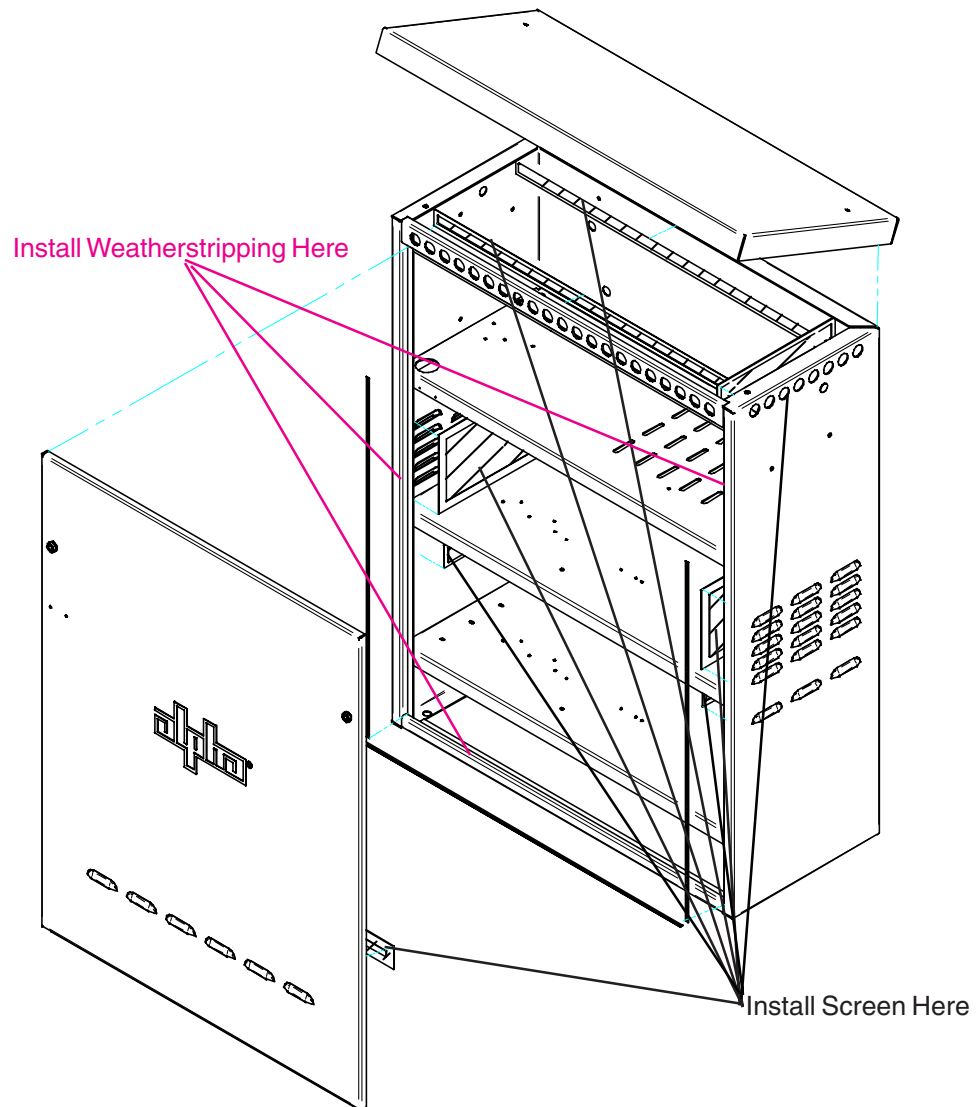
P/N 745-383-21



2.3 Screen and Weatherstrip Installation Diagrams, *Cont.*

2.3.16 UPE-8 Legacy

P/N 745-434-21

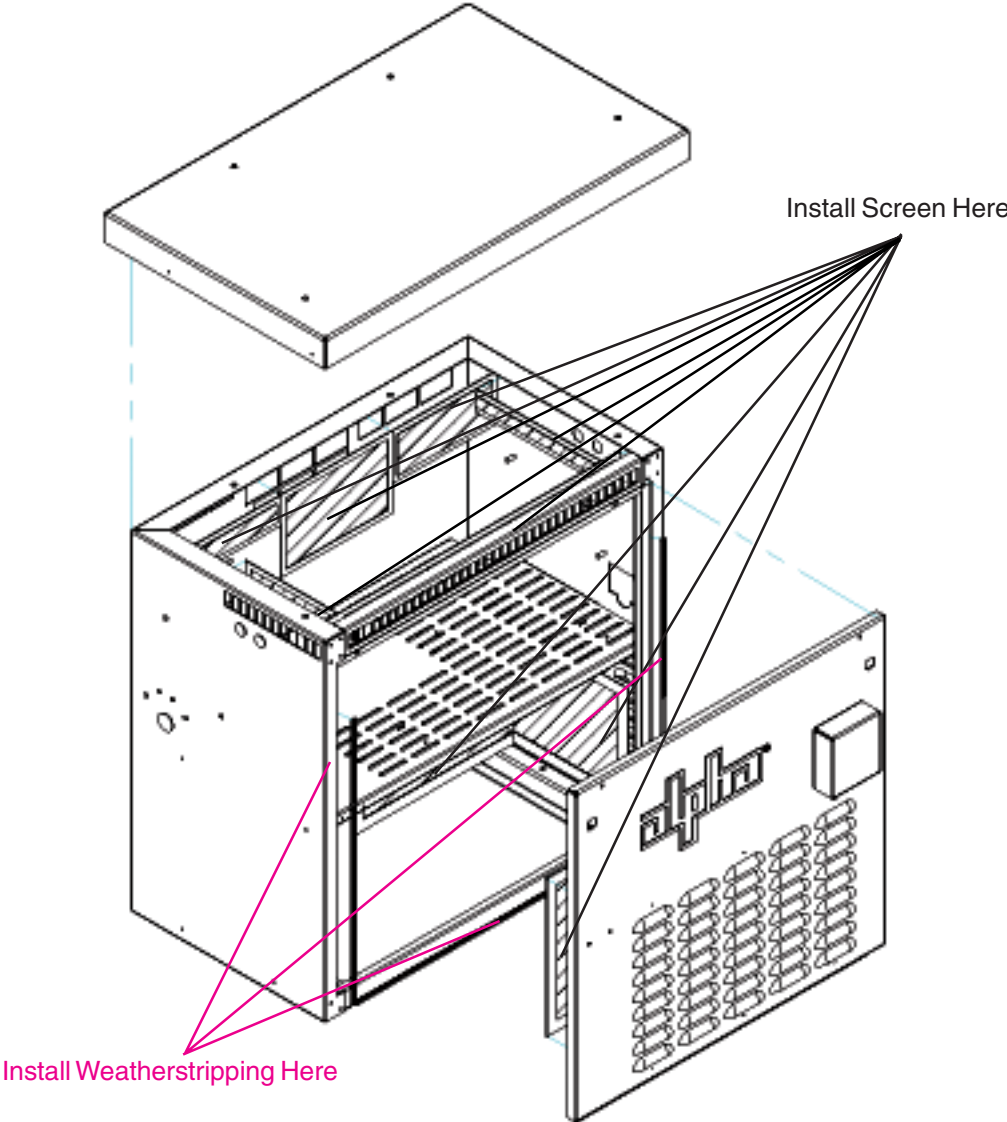


2. Installation

2.3 Screen and Weatherstrip Installation Diagrams, *Cont.*

2.3.17 UPE-3L

P/N 745-456-21

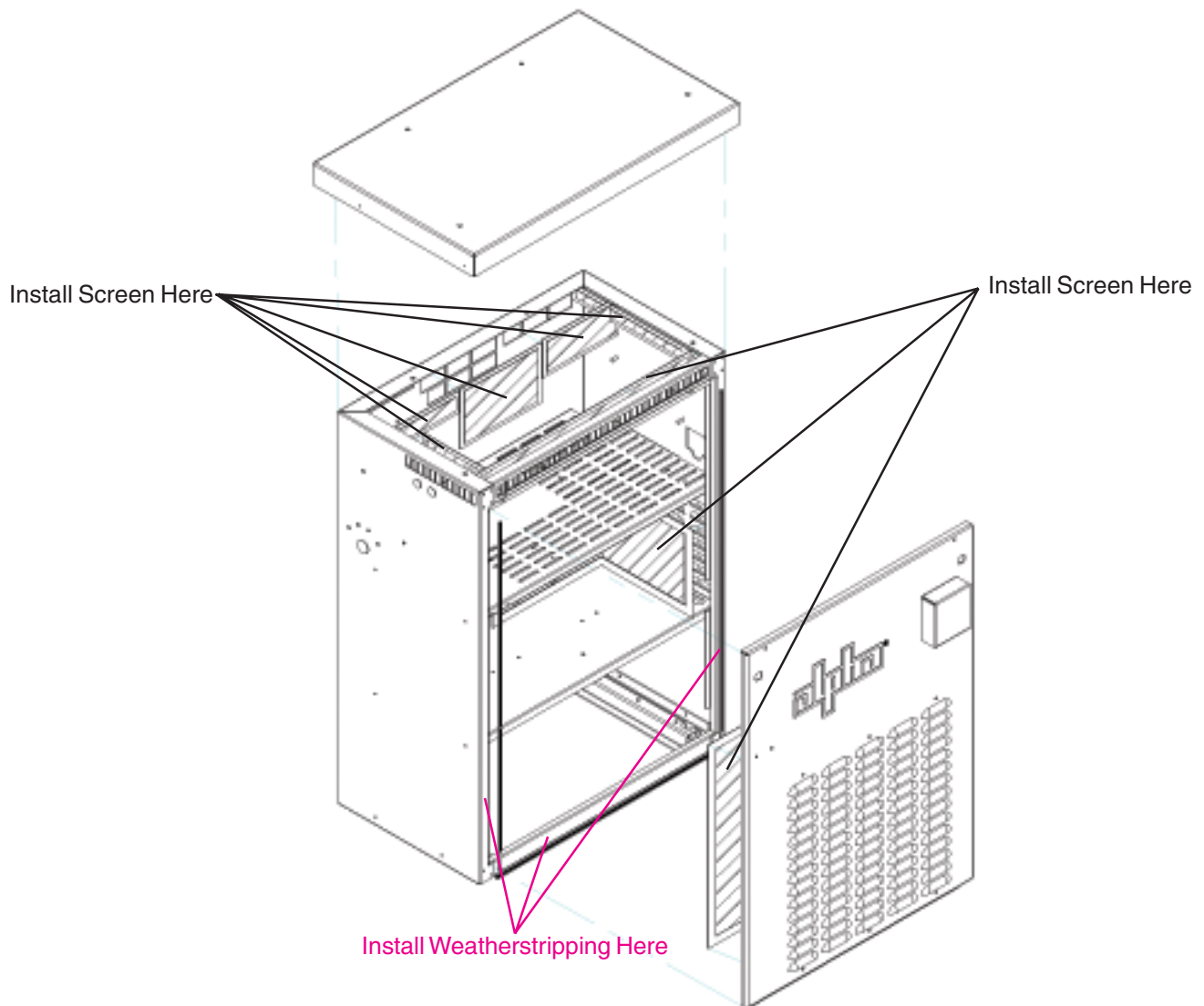


2. Installation

2.3 Screen and Weatherstrip Installation Diagrams, *Cont.*

2.3.18 UPE-6L

P/N 745-457-21

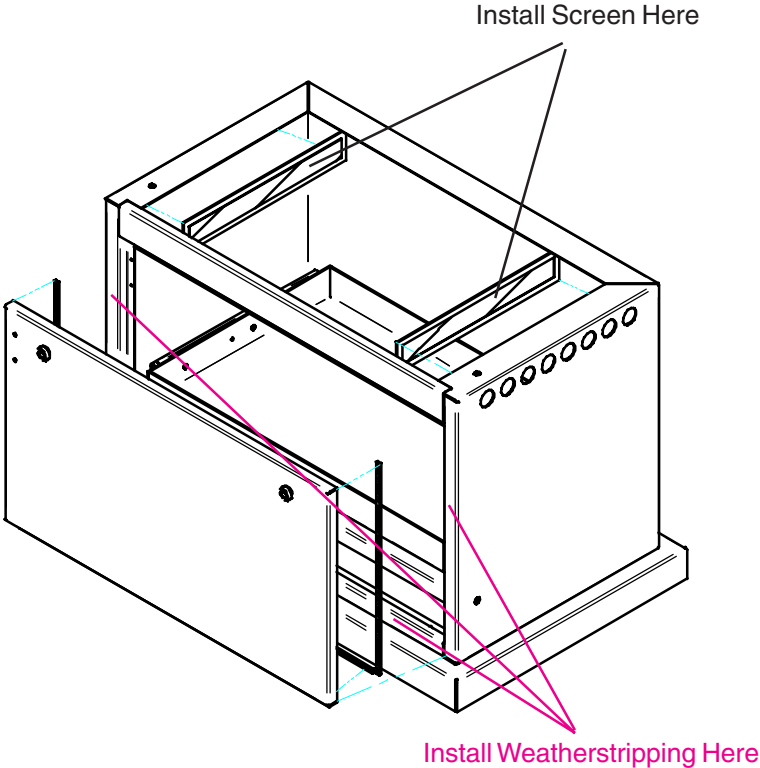


2. Installation

2.3 Screen and Weatherstrip Installation Diagrams, *Cont.*

2.3.19 BE-UPE

P/N 745-429-21

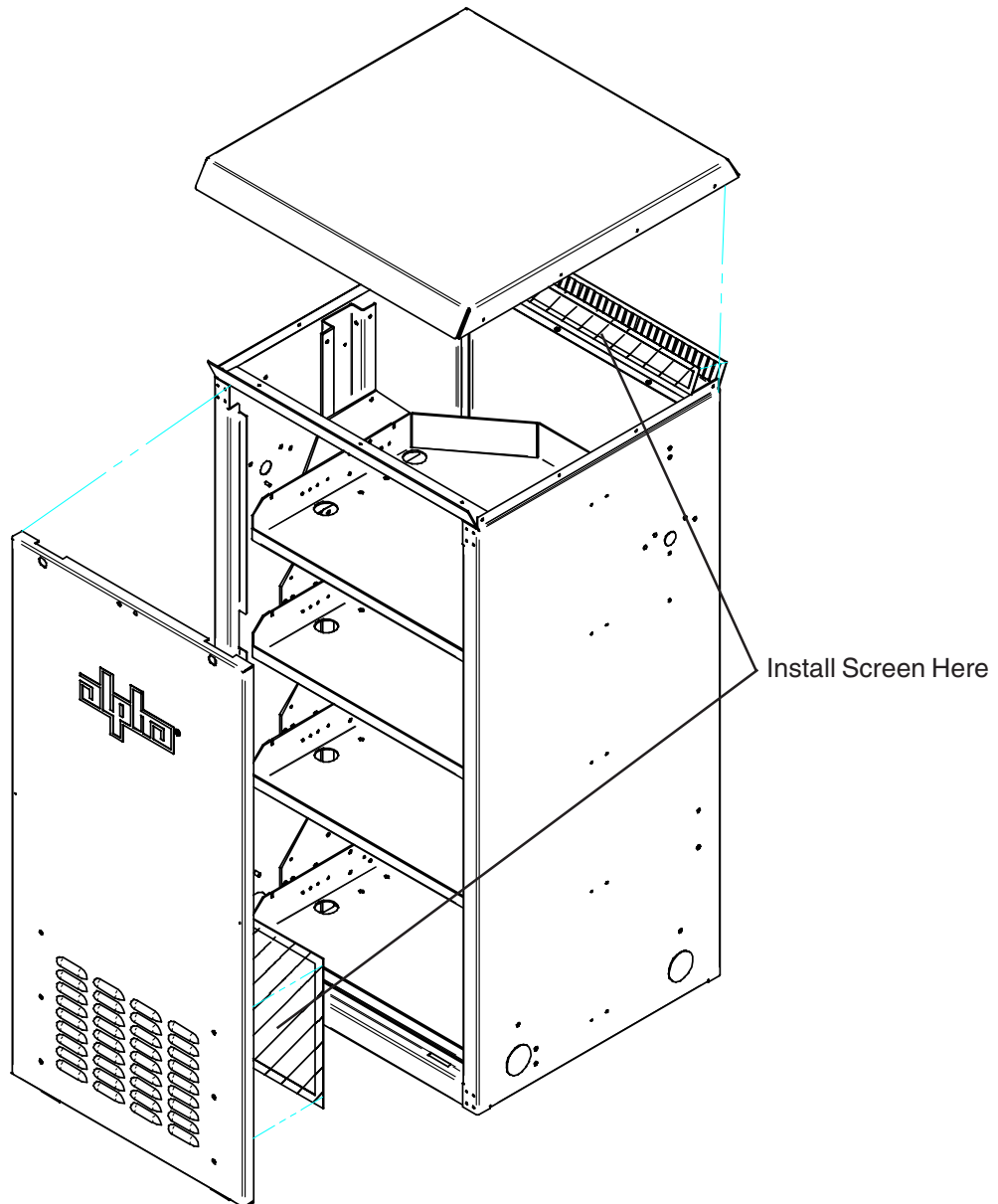


2. Installation

2.3 Screen and Weatherstrip Installation Diagrams, *Cont.*

2.3.20 PN-3/PN-4

P/N 745-390-21

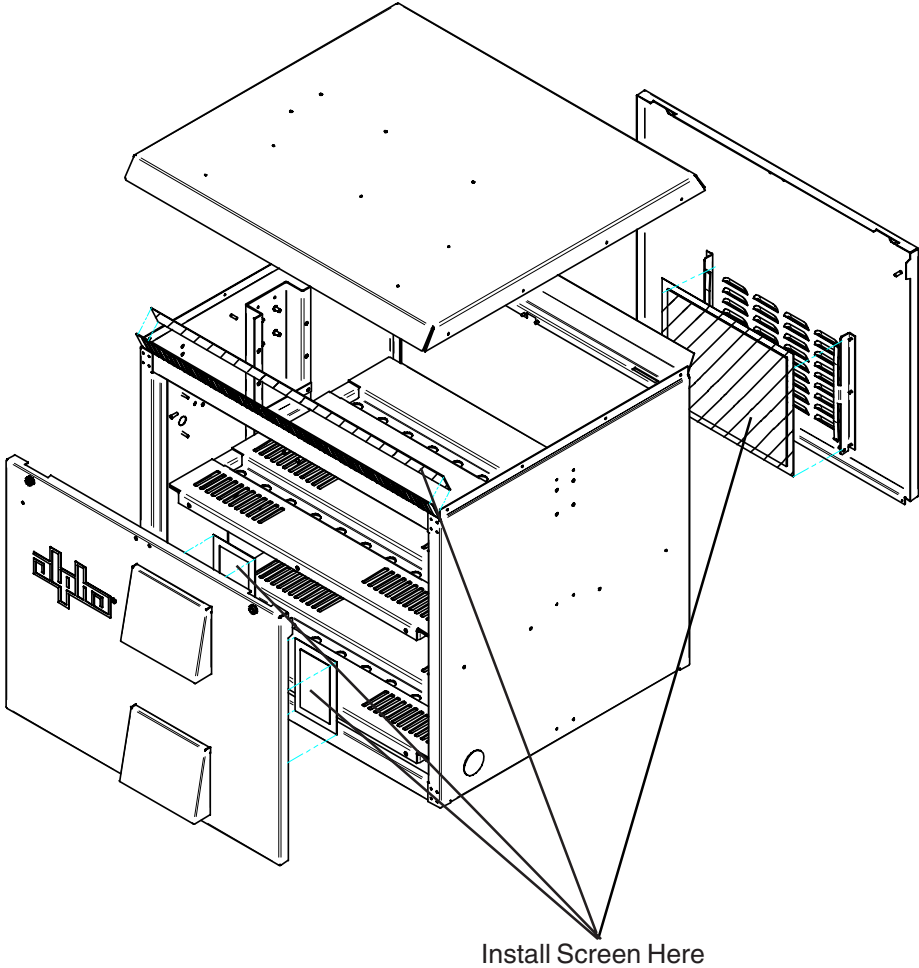


2. Installation

2.3 Screen and Weatherstrip Installation Diagrams, *Cont.*

2.3.21 PN-4L

P/N 745-393-21



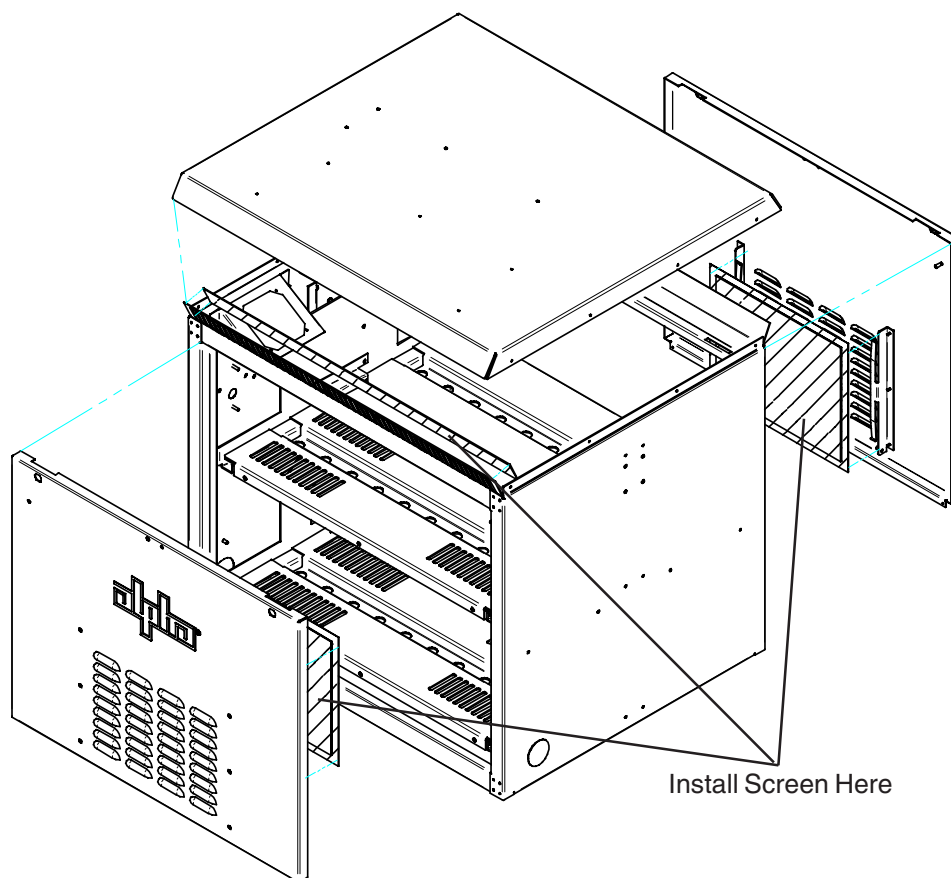
2. Installation

2.3 Screen and Weatherstrip Installation Diagrams, *Cont.*

2.3.22 PN-4LB/PN-FN

PN-4LB P/N 745-392-21

PN-FN P/N 745-392-23

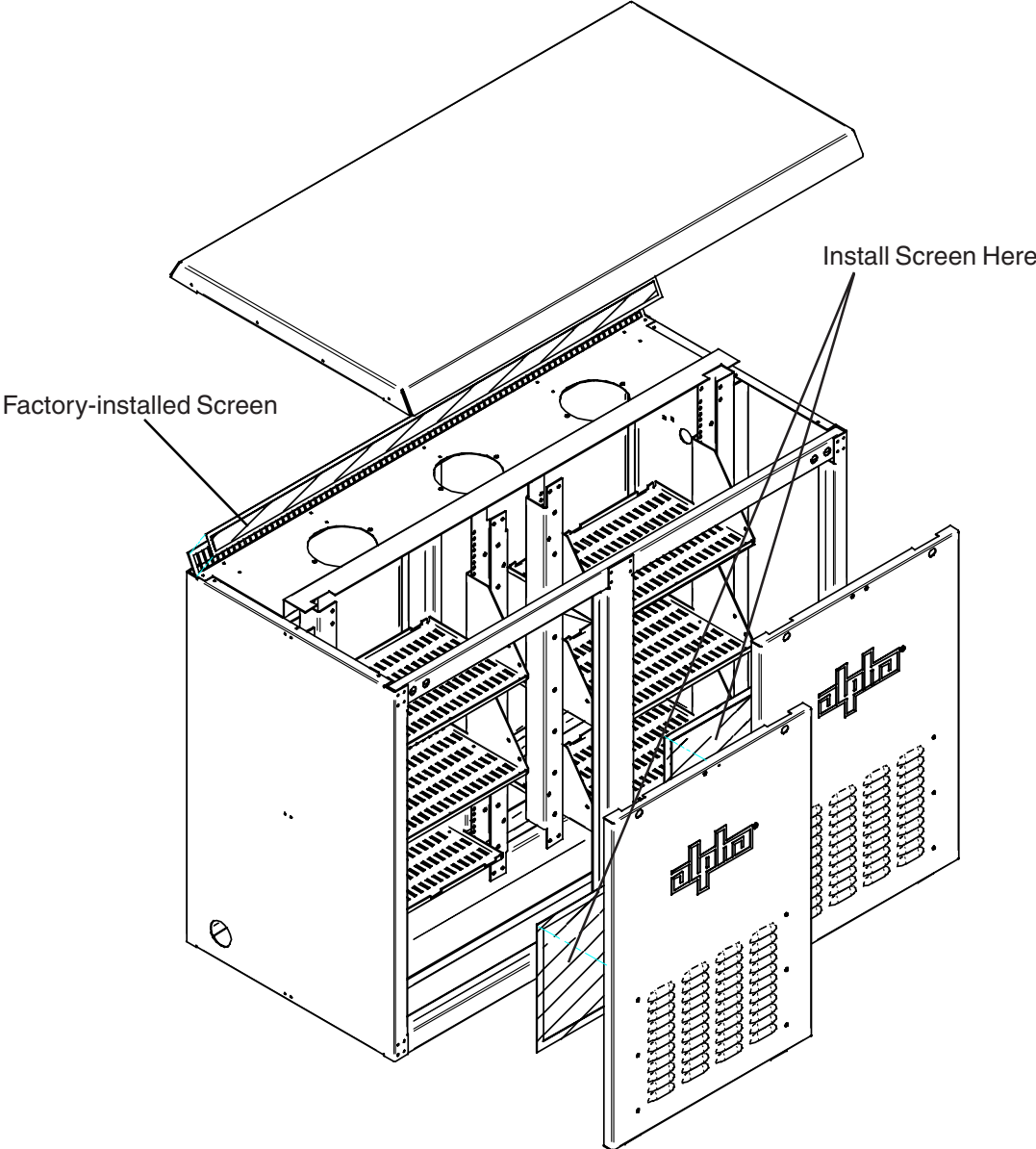


2. Installation

2.3 Screen and Weatherstrip Installation Diagrams, *Cont.*

2.3.23 PN-6

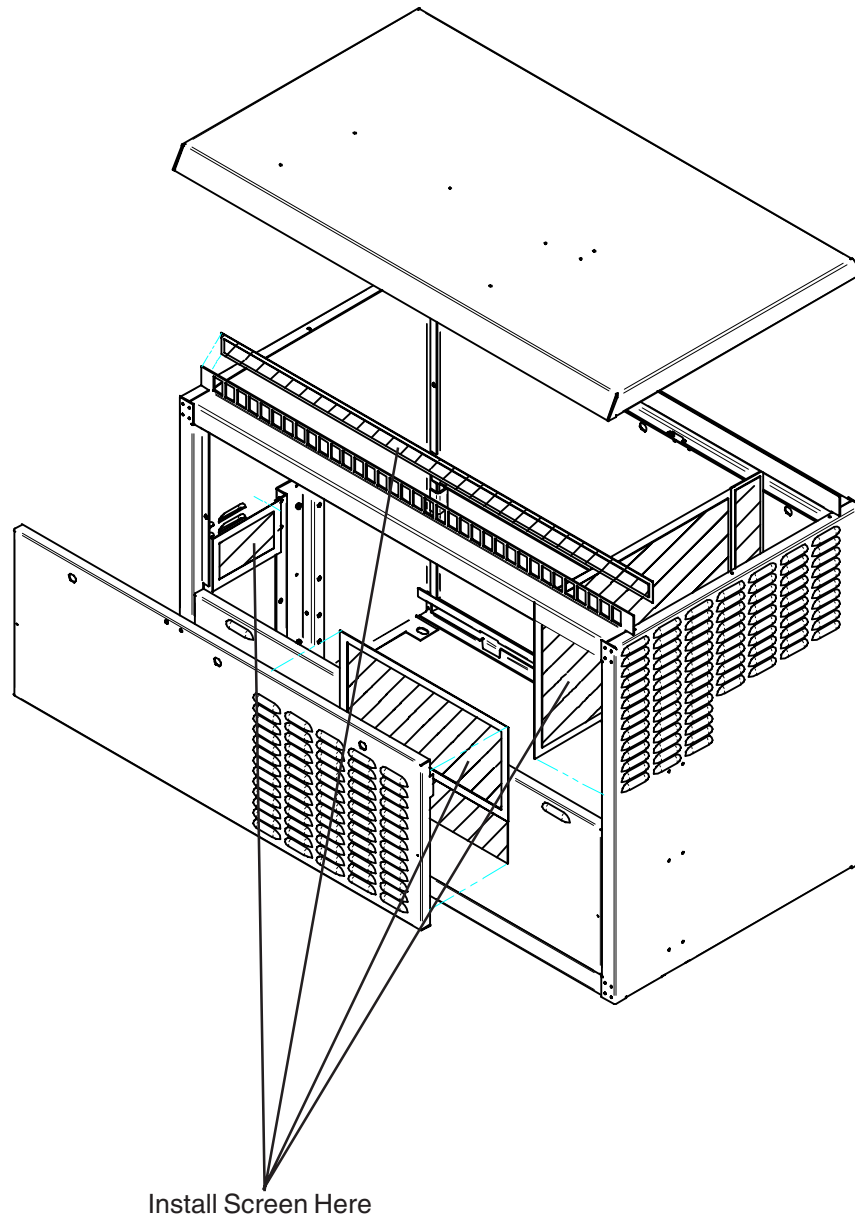
P/N 745-454-21



2.3 Screen and Weatherstrip Installation Diagrams, *Cont.*

2.3.24 PN-FNL

P/N 745-476-21

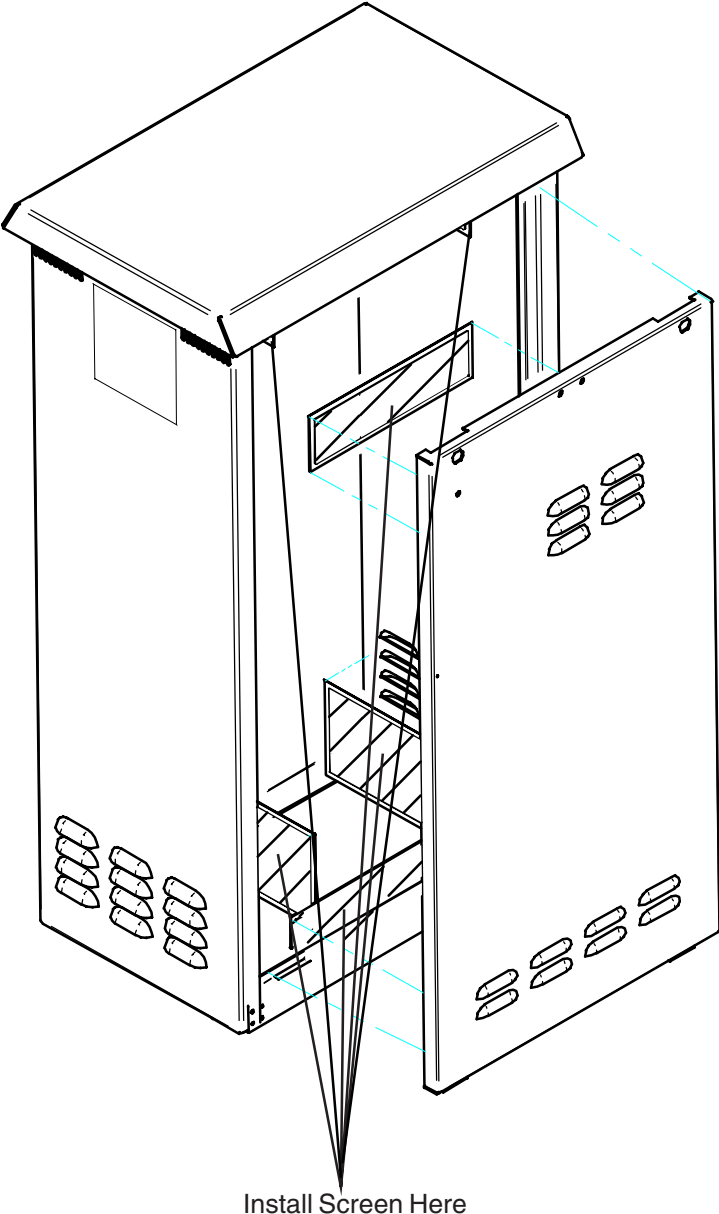


2. Installation

2.3 Screen and Weatherstrip Installation Diagrams, *Cont.*

2.3.25 CE-SC

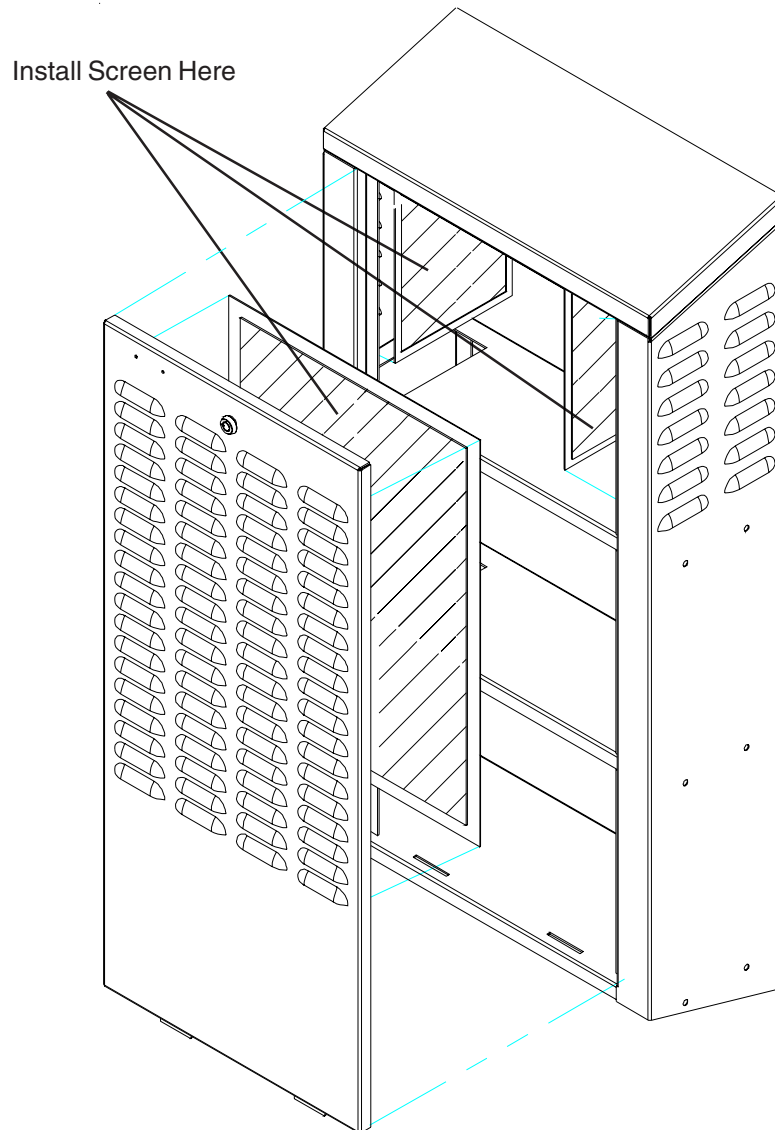
P/N 745-465-21



2.3 Screen and Weatherstrip Installation Diagrams, *Cont.*

2.3.26 BSM-3

P/N 745-466-21

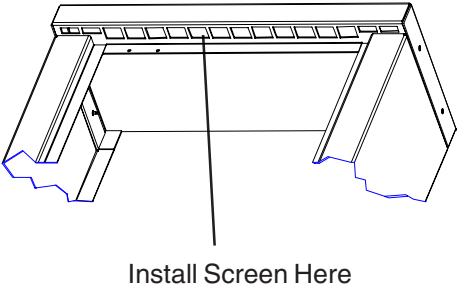
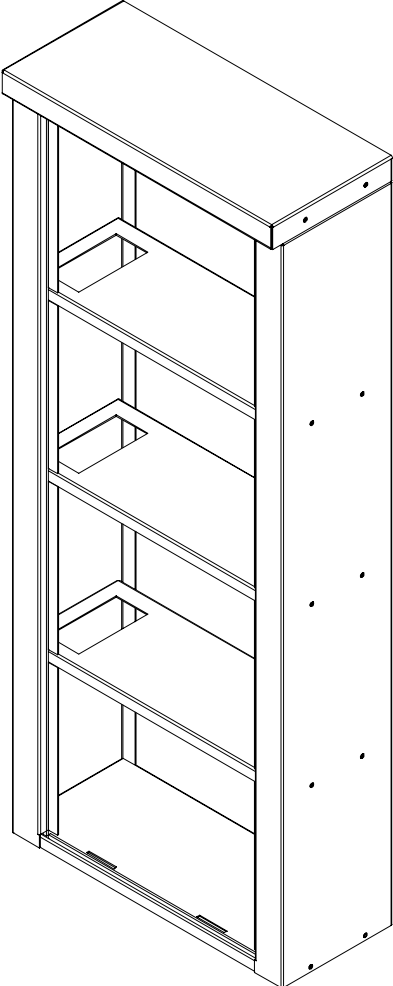


2. Installation

2.3 Screen and Weatherstrip Installation Diagrams, *Cont.*

2.3.27 BSM-4

P/N 745-468-21

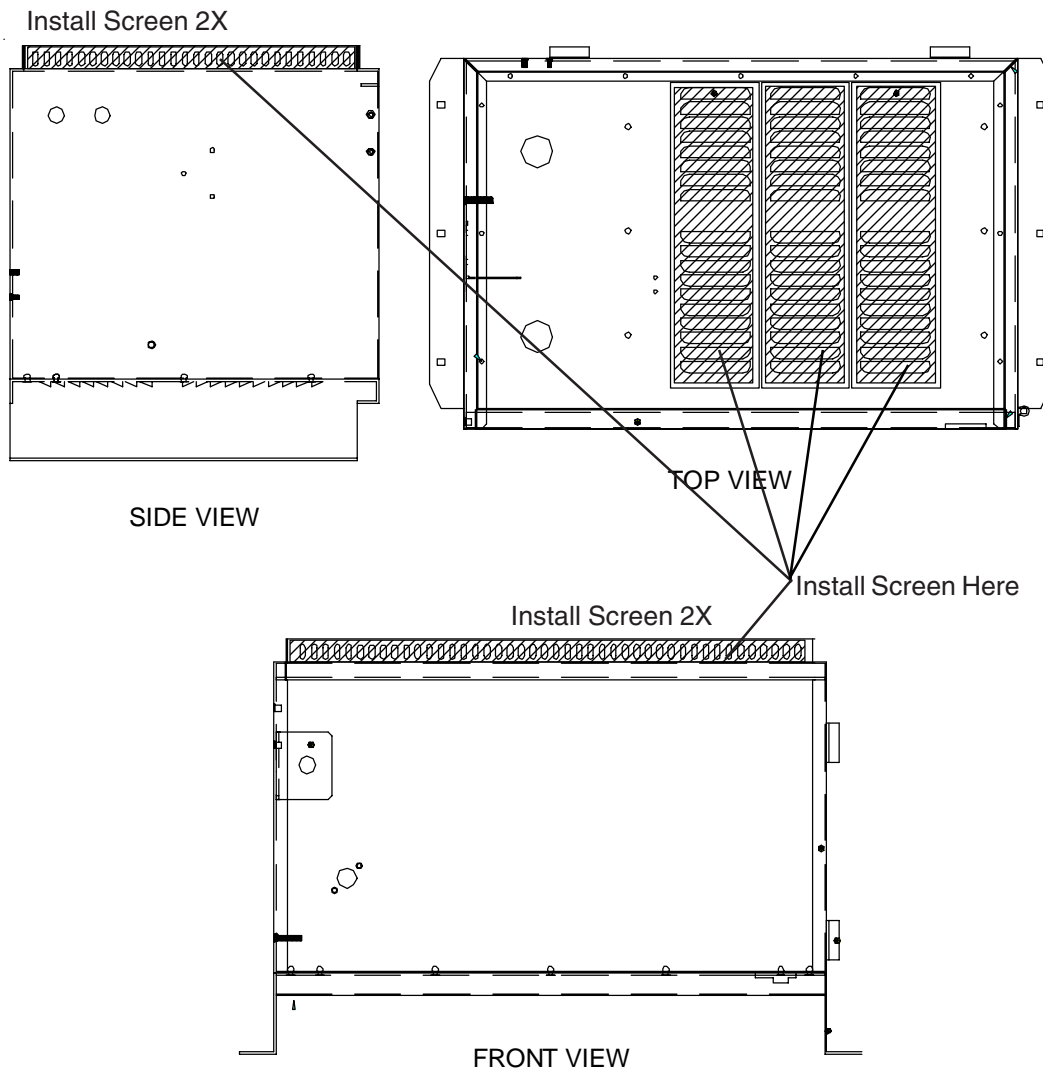


2. Installation

2.3 Screen and Weatherstrip Installation Diagrams, *Cont.*

2.3.28 BVE

P/N 745-477-21

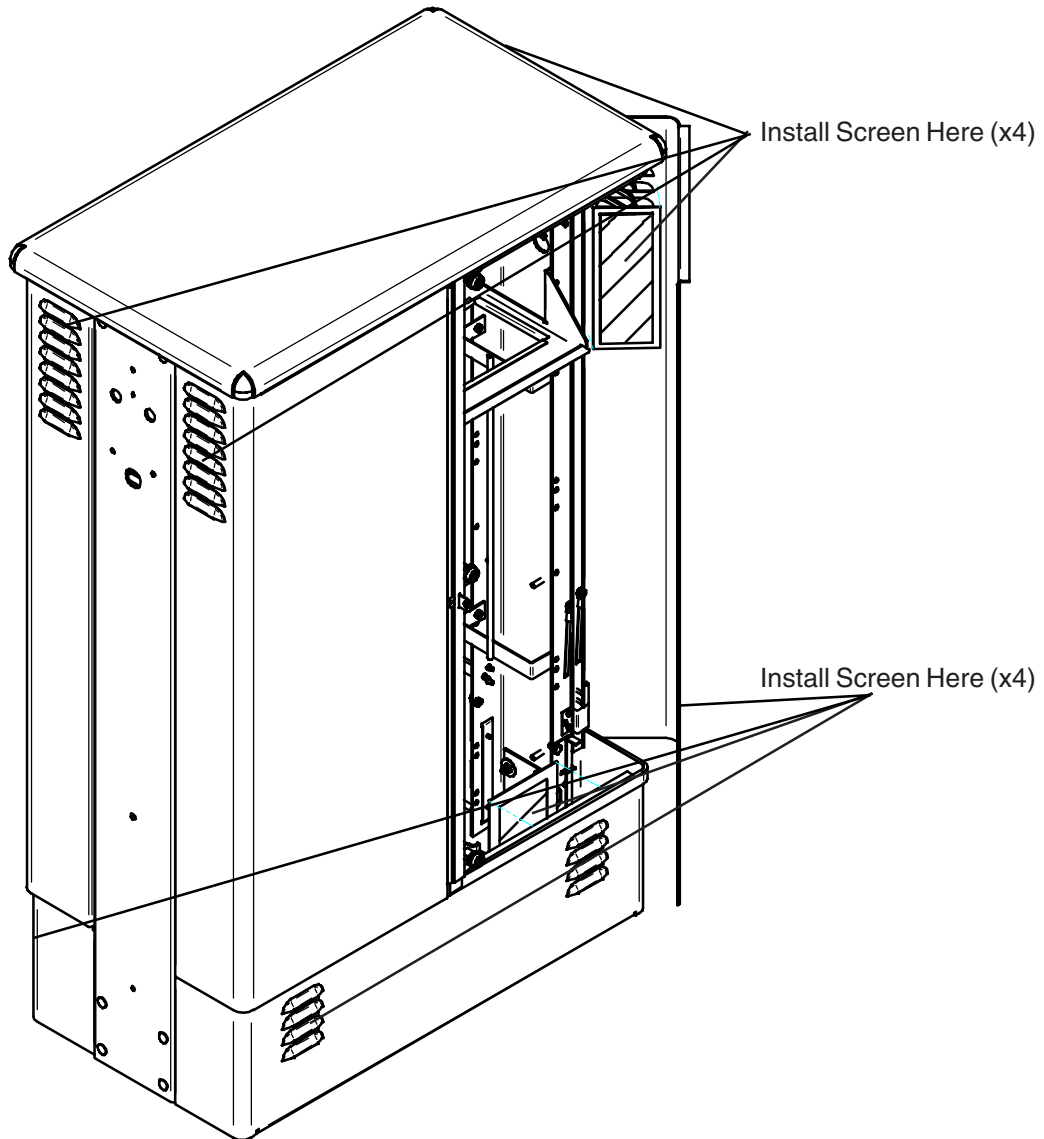


2. Installation

2.3 Screen and Weatherstrip Installation Diagrams, *Cont.*

2.3.29 CTE-1

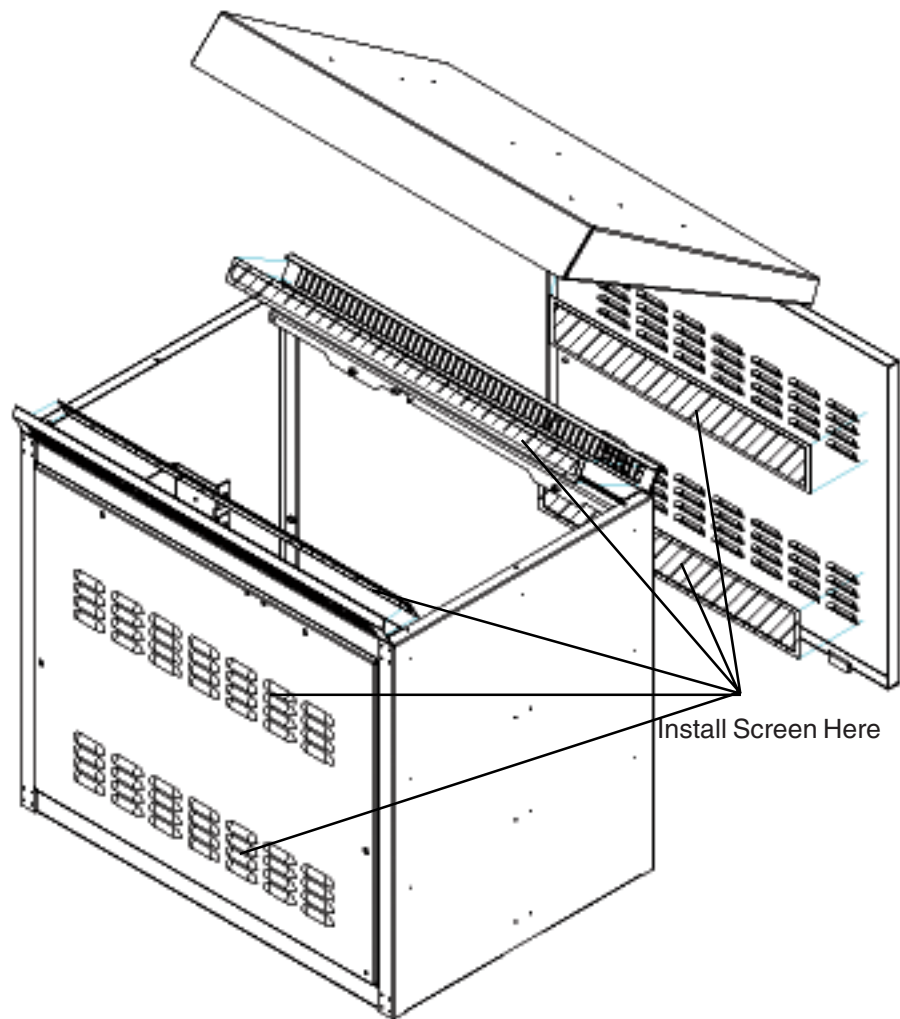
P/N 745-474-21



2.3 Screen and Weatherstrip Installation Diagrams, *Cont.*

2.3.30 GM6L

P/N 745-475-21



Power

www.alpha.com Protecting The Power in Communications.

Alpha Technologies
3767 Alpha Way
Bellingham, WA 98226
USA
Tel: (360) 647-2360
Fax: (360) 671-4936
Web: www.alpha.com

Alpha Technologies Ltd.
4084 McConnell Court
Burnaby, BC, V5A 3N7
CANADA
Tel: (604) 430-1476
Fax: (604) 430-8908

Alpha Technologies
Europe Ltd.
Cartel Business Estate
Edinburgh Way
Harlow, Essex CM20 2TT
UNITED KINGDOM
Tel: +44-1279-422110
Fax: +44-1279-423355

Alpha Technologies
Hansastrasse 8
D-91126 Schwabach
GERMANY
Tel: +49-9122-79889-0
Fax: +49-9122-79889-21

Alphatec
339 St. Andrews Street
Suite 101
Andrea Chambers
Limassol, Cyprus
CYPRUS
Tel: +357-25-375675
Fax: +357-25-359595

Alpha Technologies
Unit R5-R7 Regents Park Estate
Corner Park Rd and Prince's Rd East
Regents Park, NSW 2143
AUSTRALIA
Tel: +61-2-9722-3320
Fax: +61-2-9722-3321