

Safety Switch Installation Instructions

This procedure details the installation of 60A, 240Vac safety switch box on a UPE cabinet configured with an Integrated Service Entrance (ISE).



WARNING! HAZARD OF ELECTRIC SHOCK, EXPLOSION OR ARC FLASH

This equipment must only be installed and serviced by qualified electrical personnel.

Kit contents:

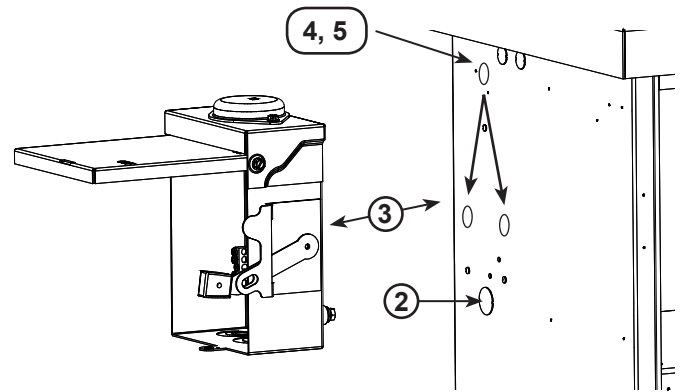
Safety switch box, 240V 60A, NEMA 3R, 2P, NON-FU
 Gasket, SL, for 3/4" CND, Poron
 Gasket SL, for 1/4" bolt, Poron
 Assorted #10 and 1/4-20 hardware
 Grounding kit
 Chase fitting, 1"L, 3/4" Ø, die cast Zn, UL
 1" locknut
 Wiring kit, 30A safety switch to ISE
 Installation guide, safety switch, 120VAC, 30A, safety switch for UPE with ISE.

Required tools:

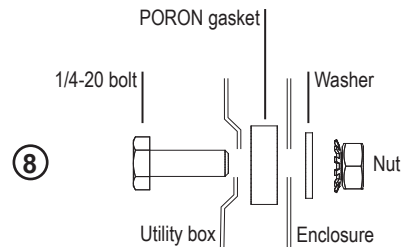
Hammer
 Drill
 .281" (or equivalent) bit
 Center punch
 3/8" wrench or driver
 7/16" open-end wrench
 #2 Phillips screwdriver
 Flatblade screwdriver
 Level

Breaker box installation procedure:

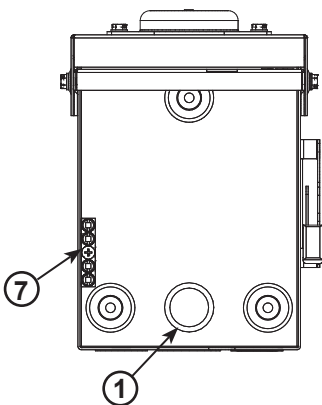
- ① Remove the 3/4" breaker box knockout.
- ② Remove the corresponding knockout in cabinet.
- ③ Use the chase fitting and locknut to temporarily attach the breaker box to cabinet.
- ④ Level the breaker box then mark and punch three holes into the side of the cabinet.
- ⑤ Remove the breaker box and drill three 0.281" Ø holes where marked.
- ⑥ Attach the adhesive gaskets to the enclosure-facing side of breaker box.
- ⑦ Install the grounding bar.
- ⑧ Attach the breaker box to the enclosure via the chase fitting and three 1/4-20 bolts and fasteners.



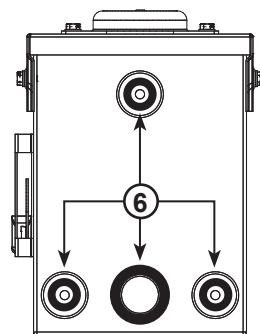
Mounting hole locations



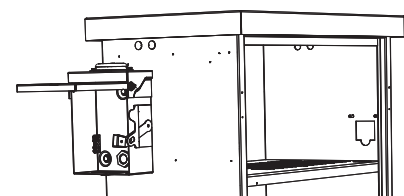
Hardware stackup, utility box mounting



Front (inside) view, safety switch box



Rear view, safety switch box



Completed assembly

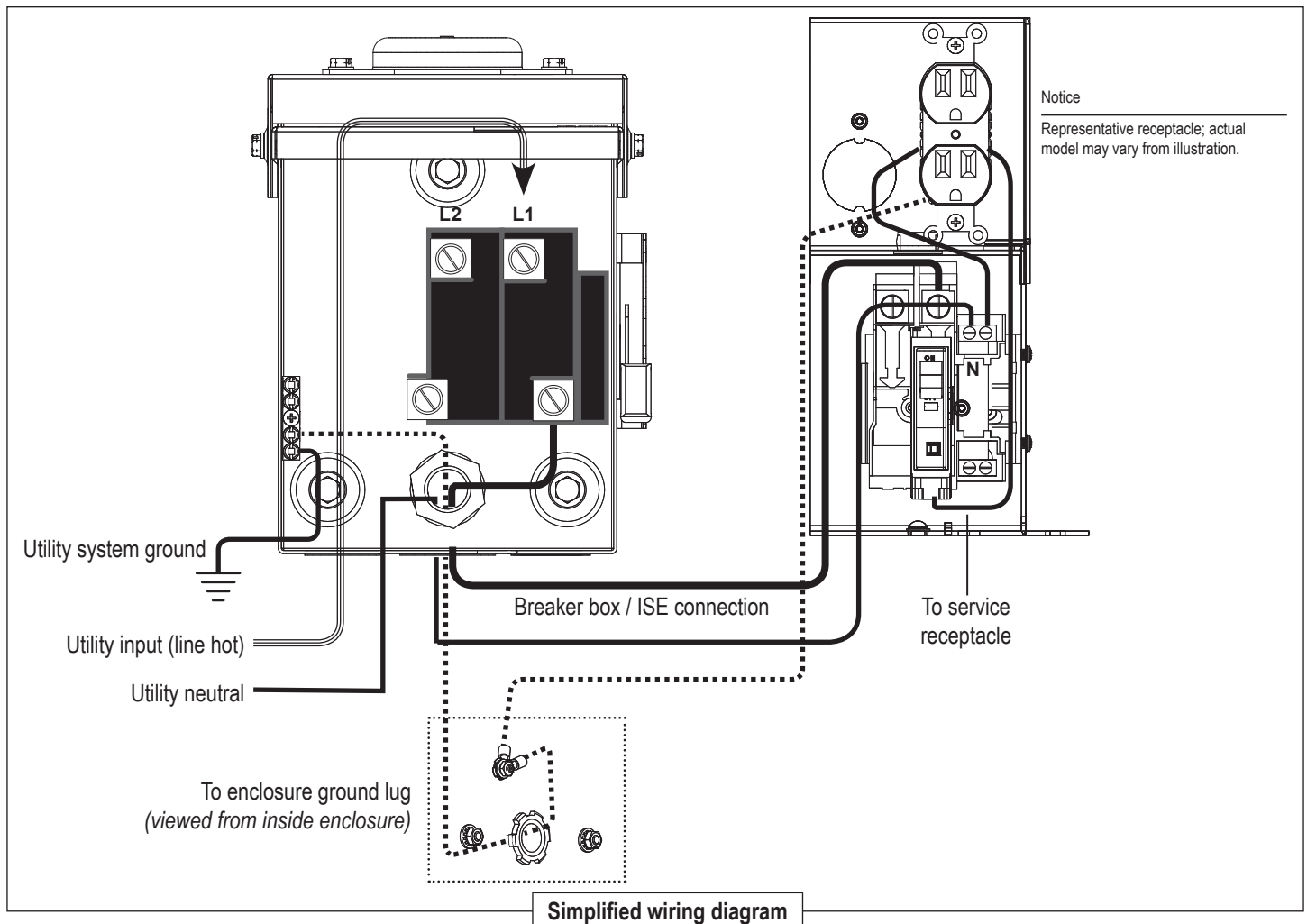


WARNING! HAZARD OF ELECTRIC SHOCK, EXPLOSION OR ARC FLASH

This equipment must only be installed and serviced by qualified electrical personnel.

Wiring the kit

1. Attach the lugged end of ground wire (green with yellow trace) to enclosure ground stud.
2. Route the wire through the chase fitting into the disconnect box and attach it to the grounding bar.
3. Connect the supplied black wire to the top position of the ISE breaker.
4. Route the black wire through the chase fitting into the disconnect box.
5. Connect the black wire to the bottom of the disconnect switch.
6. Customer-supplied utility connections enter the disconnect box from the bottom or side.
7. Utility input (line hot) wire attaches to top of disconnect switch.
8. Black wire connects the bottom of the switch to the top position of the breaker in the ISE.
9. The bottom position of the ISE connects to the hot side of the service receptacle.



Simplified wiring diagram

Alpha Technologies Inc.
3767 Alpha Way
Bellingham WA 98226
USA
Tel: +1 360 647 2360
Fax: +1 360 671 4936

Alpha Technologies Ltd.
7700 Riverfront Gate
Burnaby BC V5J 5M4
Canada
Tel: +1 604 436 5900
Fax: +1 604 436 1233

Alpha Technologies Europe Ltd.
Twyford House, Thorley
Bishop's Stortford, Hertfordshire
CM22 7PA
United Kingdom
Tel: +44 1279 501110
Fax: +44 1279 659870

Alpha Technologies GmbH
Hansastraße 8
D 91126 Schwabach
Germany
Tel: +49 9122 79889 0
Fax: +49 9122 79889 21

AlphaTec Ltd.
339 Saint Andrews Street
Suite 101 Andrea Chambers
3307 Limassol
Cyprus
Tel: +357 25 375675
Fax: +357 25 359595

AlphaTEK ooo
Khokhlovskiy Pereulok 16
Stroenie 1 Office 403
109028 Moscow
Russia
Tel: +7 495 916 1854
Fax: +7 495 916 1349

Alpha Technologies
Suite 1903, Tower 1
33 Canton Road, Kowloon
Hong Kong
Tel: +852 2736 8663
Fax: +852 2199 7988