

UK6TNMF

Part Number: 9750N7000

NSN: 6140-99-219-2903

The ArmaSafe® Plus range of batteries from EnerSys delivers and exceeds the performance military customers expect.

Proven to operate in the most demanding environments and across the widest operational temperature range, they offer greater power, extended storage and service life, a rugged construction and the resilience to recover from over-discharge demands.

Engineered using advanced Thin Plate Pure Lead (TPPL) technology with Absorbed Glass Mats (AGM) ensures extreme leak-free, vibration resistance, even when the battery is installed on its side.

This together with Valve Regulated Lead-Acid (VRLA) to retain any recharging gases makes the ArmaSafe Plus batteries the most adaptable solution for military operations and logistics.

Facts at a Glance

Capacity:	126 Ah
CCA (SAE):	1225 A
Temperature:	-40°C to +80°C
Storage:	30 months @ 25°C
Internal Resistance:	1.6mΩ
Weight:	40 kg
Compliant to:	UK Def Stan 61-021 Supp 042

Over 3 Million 6T format batteries supplied to Military customers around the world.



Visit us at eu.hawkerbattery.com

UK6TNMF

Part Number: 9750N7000

NSN: 6140-99-219-2903

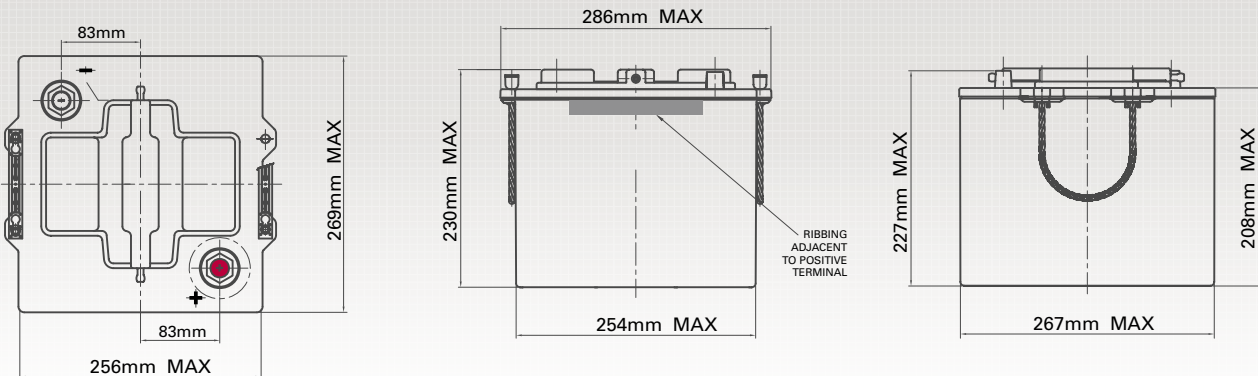
Product Data	
Technology	Thin Plate Pure Lead (TPPL) Absorbed Glass Mat (AGM) Valve Regulated Lead Acid (VRLA)
Nominal voltage	12 V
Charging voltage	14.4 V @ 20°C
Nominal Capacity (C20)	126 Ah
Nominal Capacity (C5)	103 Ah
CCA	1225 A (SAE)
Internal resistance	1.6 mΩ
Temperature performance range	-40°C to 80°C
Cycle life @ 20% DoD	3500 cycles
Cycle life @ 50% DoD	1650 cycles
Cycle life @ 80% DoD	680 cycles
Weight	40 kg
Storage @ 15°C	60 months
Storage @ 25°C	30 months
Battery poles	EN50342-2 / DIN72311-4
Fully compliant to	UK MoD specification Defence Standard 61-021 Supplement 042

Features & Benefits

- Installation orientation: can be mounted in any orientation except inverted
- Recombination efficiency 99%
- Integrated flame arresters - protection against flame transmission
- UNTransportation classification UN2800-Class 8 exempt
- 97% Recyclability
- Flame retardancy UL94 V-2
- Maintenance Free
- Shock resistant
- Long shelf life
- Ability to survive and recover from abusive discharges
- Superior cold cranking performance
- Excellent cyclic capability
- Superb charge acceptance

These batteries and controlled technical data are classified under the Commerce Control List and are subject to licensing requirements for any export. Additional export restrictions and regulations may apply depending on their end use. It is the responsibility of the purchasing or receiving party to comply with all requirements of export laws, including ensuring that all required export authorizations are in place prior to exportation or re-exportation.

Dimensions



EMEA/APAC-EN-DS-HAW-ASP-UK6TNMF-07.25

